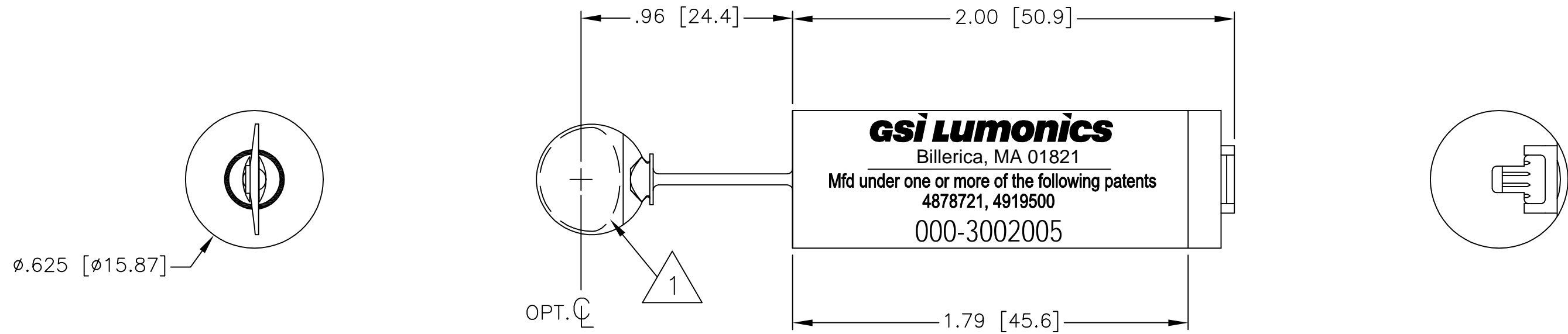


NOTES:

1 CLEAR APPERTURE: TOP HALF IS HALF CIRCLE R.236;
 BOTTOM HALF IS HALF ELLIPSE .472 x .128

REVISIONS				
ZONE	REV	DESCRIPTION	DATE	APPROVED
-	G	REVISED PER ECO 2004-061	4/2/04	A.S



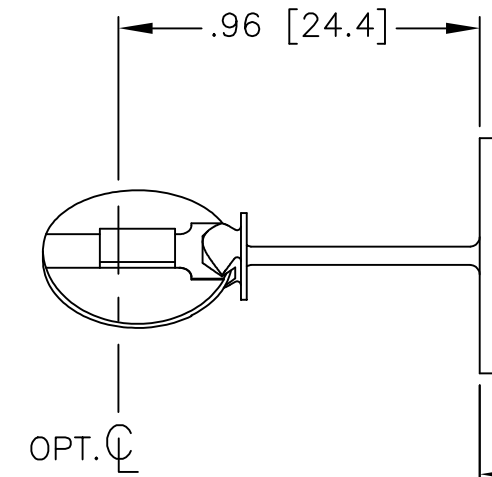
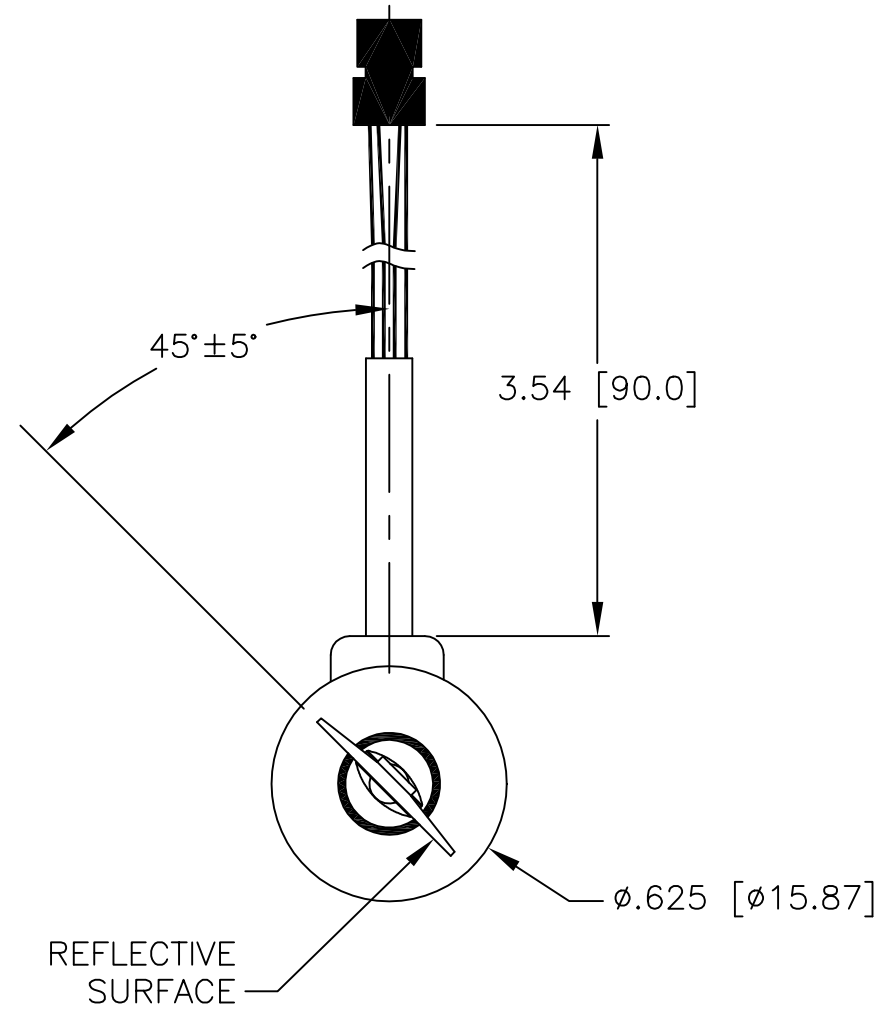
UNLESS OTHERWISE SPECIFIED:
 DIMENSIONS ARE IN INCHES
 TOLERANCES ARE:
 .X ± .1
 .XX ± .01
 .XXX ± .005
 .XXXX ± .0010
 ANGLES ± .5°
 DO NOT SCALE DRAWING
 REMOVE ALL BURRS AND BREAK
 SHARP EDGES
 ALL MACH SURFACES 63/√

INTERPRET DRAWING IN ACCORDANCE WITH DOD-STD-100, ANSI Y14.5M	UNLESS OTHERWISE SPECIFIED DIMENSIONS ARE IN MILLIMETERS. TOLERANCES ARE: X ± 2.5 .X ± .25 .XX ± .13 .XXX ± .025 ANGLES ± .5° DO NOT SCALE DRAWING REMOVE ALL BURRS AND BREAK SHARP EDGES ALL MACHINED SURFACES 1.6 MICRON RA	gsi Lumonics COMPONENT PRODUCTS GROUP	
		DRAWN A. SUKHOV 01/28/99	DESIGN ENG P. MCGOVERN 02/09/95
PROPERTY OF GSI LUMONICS THIS DOCUMENT IS AND SHALL REMAIN AN UNPUBLISHED WORK OF GSI LUMONICS PROTECTED BY COPYRIGHT, IS LOANED FOR LIMITED PURPOSES ONLY, REMAINS THE PROPERTY OF GSI LUMONICS, AND IS TO BE RETURNED UPON REQUEST. NEITHER IT NOR ANY OF THE INFORMATION IT CONTAINS WILL BE REPRODUCED, USED, OR DISCLOSED TO ANYONE NOT HAVING A NEED-TO-KNOW CONSISTENT WITH THE PURPOSE OF THE LOAN, WITHOUT WRITTEN CONSENT OF GSI LUMONICS.	THIRD ANGLE PROJECTION 	MFG ENG G. POLUCHI 02/23/95	OUTLINE CRS 4kHz
		CAD FILE NAME: 15980	SIZE B SCALE 2/1

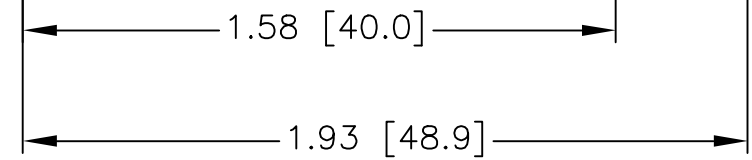
NOTES:

1.

REVISIONS				
ZONE	REV	DESCRIPTION	DATE	APPROVED
-	F	REVISED PER ECO 2004-379	6/23/04	A.S.



Gsi Lumonics
 Billerica, MA 01821
 Mfd under one or more of the following patents
 4878721, 4919500
 003-3002600



UNLESS OTHERWISE SPECIFIED:
 DIMENSIONS ARE IN INCHES
 TOLERANCES ARE:
 .X ± .1
 .XX ± .01
 .XXX ± .005
 .XXXX ± .0010
 ANGLES ± .5°
 DO NOT SCALE DRAWING
 REMOVE ALL BURRS AND BREAK
 SHARP EDGES
 ALL MACH SURFACES 63/√

INTERPRET DRAWING IN ACCORDANCE WITH DOD-STD-100, ANSI Y14.5M		UNLESS OTHERWISE SPECIFIED DIMENSIONS ARE IN MILLIMETERS. TOLERANCES ARE: X ± 2.5 .X ± .25 .XX ± .13 .XXX ± .025 ANGLES ± .5° DO NOT SCALE DRAWING REMOVE ALL BURRS AND BREAK SHARP EDGES ALL MACHINED SURFACES 1.6 MICRON RA		Gsi Lumonics COMPONENT PRODUCTS GROUP	
PROPERTY OF GSI LUMONICS THIS DOCUMENT IS AND SHALL REMAIN AN UNPUBLISHED WORK OF GSI LUMONICS PROTECTED BY COPYRIGHT, IS LOANED FOR LIMITED PURPOSES ONLY, REMAINS THE PROPERTY OF GSI LUMONICS, AND IS TO BE RETURNED UPON REQUEST. NEITHER IT NOR ANY OF THE INFORMATION IT CONTAINS WILL BE REPRODUCED, USED, OR DISCLOSED TO ANYONE NOT HAVING A NEED-TO-KNOW CONSISTENT WITH THE PURPOSE OF THE LOAN, WITHOUT WRITTEN CONSENT OF GSI LUMONICS.		THIRD ANGLE PROJECTION 		DRAWN A. SUKHOV 3/27/02 DESIGN ENG MFG ENG	
		CAD FILE NAME: 76529		OUTLINE CRS 4kHz	
		SIZE B	CAGE CODE 57246	DWG NO. 7CD-76529	REV F
		SCALE 2/1	SHEET 1 OF 1		

4

3

DWG NO. 3CD-14959

SH 1 REV SEE TBL

2

1

REVISIONS

ZONE	REV	DESCRIPTION	DATE	APPROVED
-	SEE TBL	CHG. PER ECO #990143		

NOTES:

- 1. MIRROR IS AN ELLIPSE 7.8mm X 5.5mm
- 2. CLEAR APERTURE IS 6mm X 4mm ELLIPSE

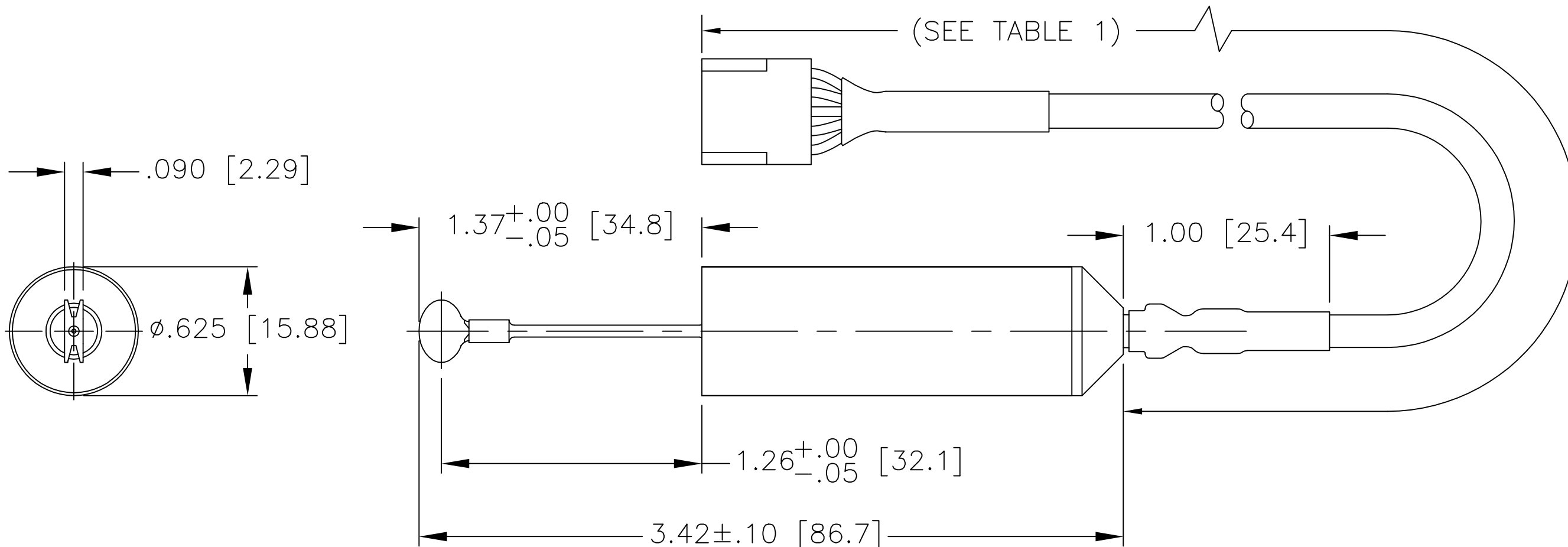


TABLE 1

REV.	DASH	CABLE LENGTH
A	-1	13.4 ± .50 [340mm]
A	-2	8.0 ± .40 [200mm]

INTERPRET DRAWING IN ACCORDANCE WITH DOD-STD-100, ANSI Y14.5M-1994		UNLESS OTHERWISE SPECIFIED: DIMENSIONS ARE IN INCHES TOLERANCES ARE: .X ± .1 .XX ± .01 .XXX ± .005 .XXXX ± .0010 ANGLES ± .5° DO NOT SCALE DRAWING REMOVE ALL BURRS AND BREAK SHARP EDGES ALL MACH SURFACES 63/		GSI Lumonics 500 ARSENAL STREET, WATERTOWN, MA. 02472	
PROPERTY OF GSI LUMONICS THIS DOCUMENT IS AND SHALL REMAIN AN UNPUBLISHED WORK OF GSI LUMONICS PROTECTED BY COPYRIGHT, IS LOANED FOR LIMITED PURPOSES ONLY, REMAINS THE PROPERTY OF GSI LUMONICS, AND IS TO BE RETURNED UPON REQUEST. NEITHER IT NOR ANY OF THE INFORMATION IT CONTAINS WILL BE REPRODUCED, USED, OR DISCLOSED TO ANYONE NOT HAVING A NEED-TO-KNOW CONSISTENT WITH THE PURPOSE OF THE LOAN, WITHOUT WRITTEN CONSENT OF GSI LUMONICS.		THIRD ANGLE PROJECTION		DRAWN A. SUKHOV DESIGN ENG 99-06-02 MFG ENG	
		SIZE B		CAGE CODE 57246	
		DWG NO. 3CD-14959		REV SEE TBL	
		SCALE 2/1		SHEET 1 OF 1	

4

3

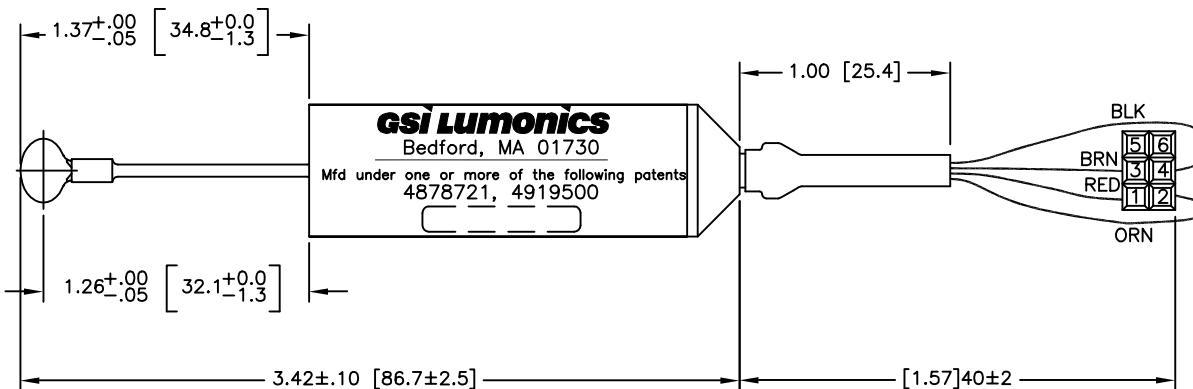
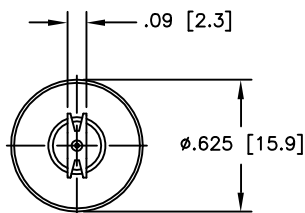
2

1

NOTES:

- 1. MIRROR IS AN ELLIPSE 7.8mm X 5.5mm
- 2. CLEAR APERTURE IS 6mm X 4mm ELLIPSE

REVISIONS				
ZONE	REV	DESCRIPTION	DATE	APPROVED
-	C	RELEASED PER ECD # 2001-207		



D

D

C

C

B

B

A

A

4

3

2

1

INTERPRET DRAWING IN ACCORDANCE WITH DOD-STD-100, ANSI Y14.5M THIS DOCUMENT IS AND SHALL REMAIN AN UNPUBLISHED WORK OF GSI LUMONICS PROTECTED BY COPYRIGHT. IS LOANED FOR LIMITED PURPOSES ONLY, REMAINS THE PROPERTY OF GSI LUMONICS, AND IS TO BE RETURNED UPON REQUEST. NEITHER IT NOR ANY OF THE INFORMATION IT CONTAINS WILL BE REPRODUCED, USED, OR DISCLOSED TO ANYONE NOT HAVING A NEED-TO-KNOW CONSISTENT WITH THE PURPOSE OF THE LOAN, WITHOUT WRITTEN CONSENT OF GSI LUMONICS.		UNLESS OTHERWISE SPECIFIED: DIMENSIONS ARE IN INCHES TOLERANCES ARE: .X ± .1 .XX ± .01 .XXX ± .005 .XXXX ± .0010 ANGLES ± .5° DO NOT SCALE DRAWING REMOVE ALL BURRS AND BREAK SHARP EDGES ALL MACH SURFACES 63/		GSI Lumonics 4E Crosby Drive, Bedford, Massachusetts, USA 01730	
DRAWN: A.SUKHOV DESIGN ENG: D.BROWN MFG ENG: D.BROWN		09/18/99 10/18/99 10/18/99		OUTLINE, CRS 8kHz	
THIRD ANGLE PROJECTION		SIZE: C CAGE CODE: 57246 DWG NO.: 7CD-75242 SCALE: 2/1		REV: C SHEET 1 OF 1	
CAD FILE NAME: 75242-0C					