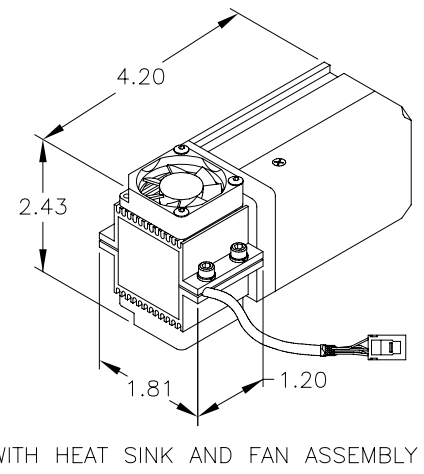
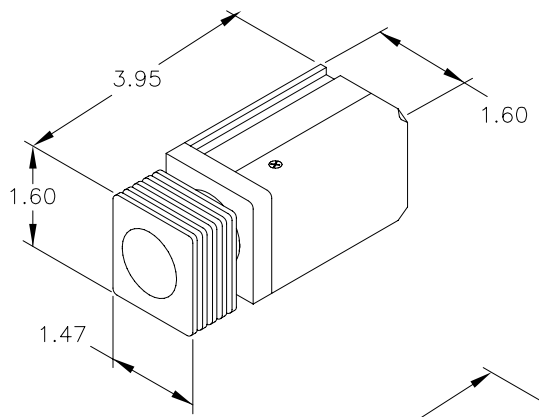
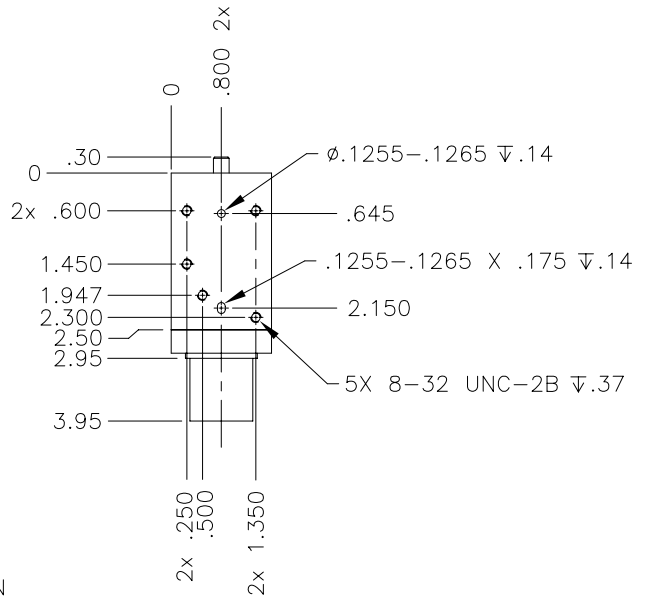
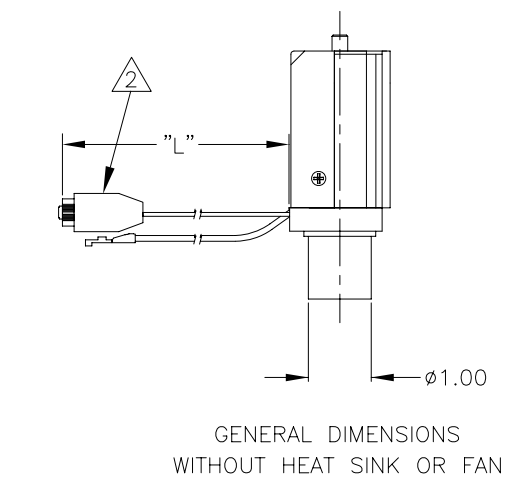
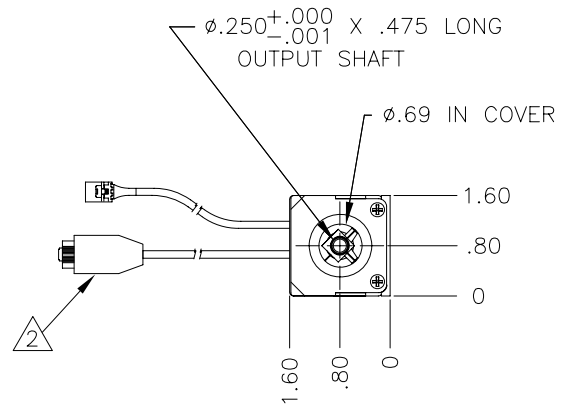


REVISIONS				
ZONE	REV	DESCRIPTION	DATE	APPROVED
-	C	REVISED PER ECO #2000-179		

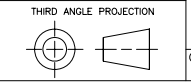


- NOTES:
- CABLE LENGTH "L" = 1ft, 1m OR 2m
- CONNECTOR TYPE VARIES

INTERPRET DRAWING IN ACCORDANCE WITH DOD-STD-100, ANSI Y14.5M

PROPERTY OF GSI LUMONICS  
 THIS DOCUMENT IS AND SHALL REMAIN AN UNPUBLISHED WORK OF GSI LUMONICS PROTECTED BY COPYRIGHT, IS LOANED FOR LIMITED PURPOSES ONLY, REMAINS THE PROPERTY OF GSI LUMONICS, AND IS TO BE RETURNED UPON REQUEST. NEITHER IT NOR ANY OF THE INFORMATION IT CONTAINS WILL BE REPRODUCED, USED, OR DISCLOSED TO ANYONE NOT HAVING A NEED-TO-KNOW CONSISTENT WITH THE PURPOSE OF THE LOAN, WITHOUT WRITTEN CONSENT OF GSI LUMONICS.

UNLESS OTHERWISE SPECIFIED: DIMENSIONS ARE IN INCHES TOLERANCES ARE:  
 .X  $\pm .1$   
 .XX  $\pm .01$   
 .XXX  $\pm .005$   
 .XXXX  $\pm .0010$   
 ANGLES  $\pm .5^\circ$   
 DO NOT SCALE DRAWING  
 REMOVE ALL BURRS AND BREAK SHARP EDGES  
 ALL MACH SURFACES  $\nabla 63$



**GSI Lumonics** 4E Crosby Drive, Bedford, Massachusetts, USA 01730

DRAWN	B. CAILLER	03-01-00	OUTLINE, FM31 W/FAN & HEAT SINK				
DESIGN ENG	J. ZIFCAK	03-06-00					
MFG ENG	B. DEBOALT	03-06-00					
SIZE	B	CAGE CODE	57246	DWG NO.	7CD-75386	REV	C
CAD FILE NAME:	75386-0C	SCALE	1/2	SHEET 1 OF 1			