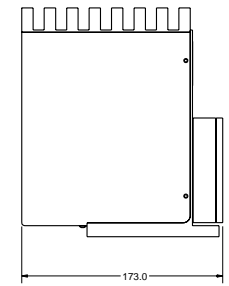
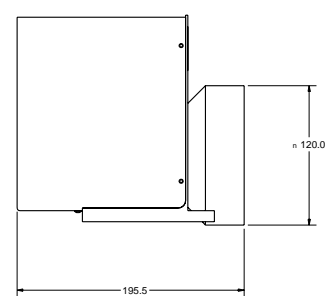


| REVISIONS | | | |
|-----------|-------------------------|---------|----------|
| ZONE/REV | DESCRIPTION | DATE | APPROVED |
| A | CHANGE PER ECO 2003-183 | 1/30/03 | P. T. |



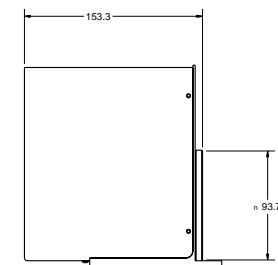
SCALE 1 / 2

F160 YAG



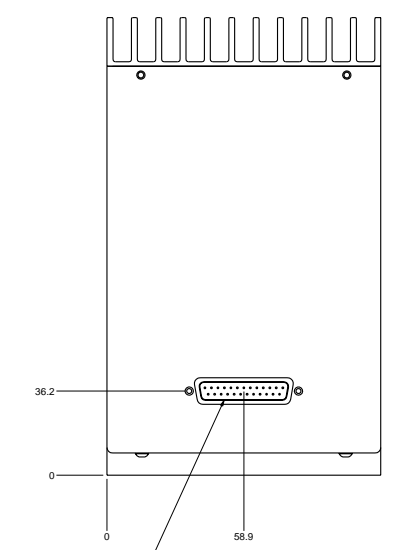
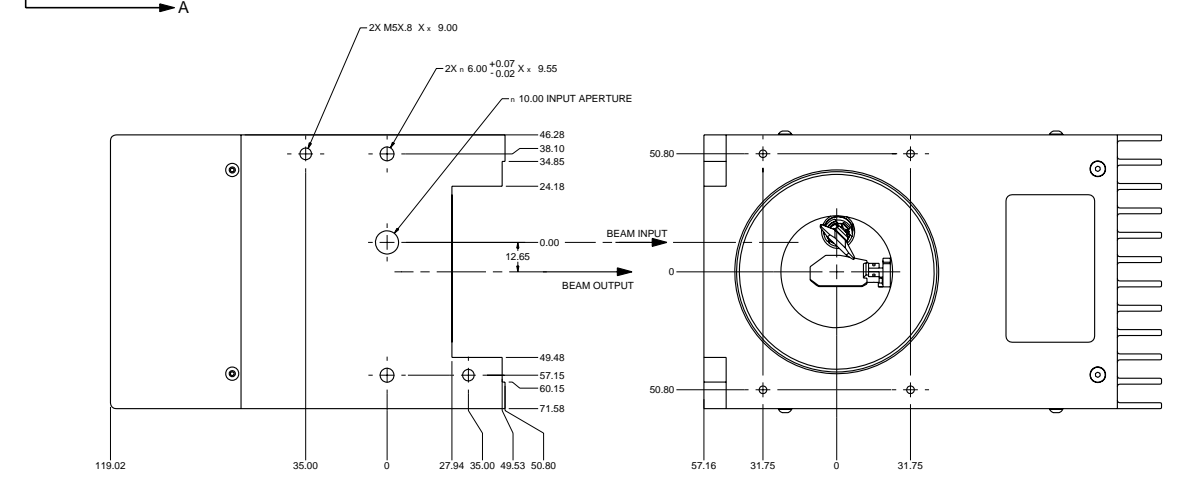
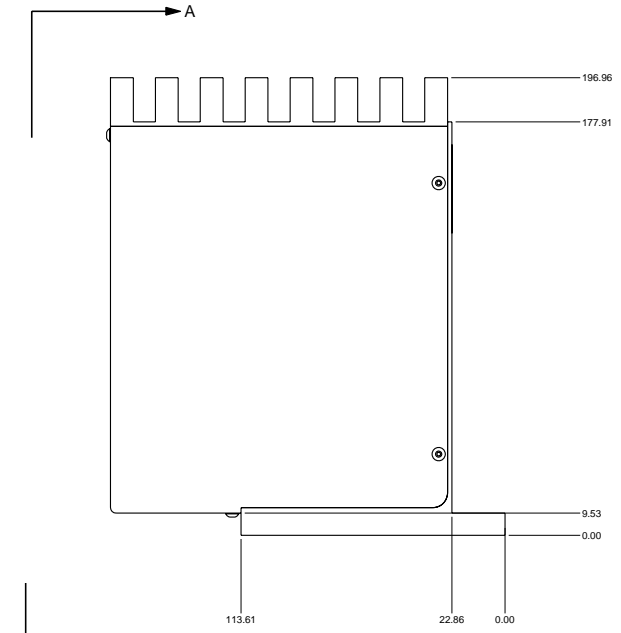
SCALE 1 / 2

F250 YAG

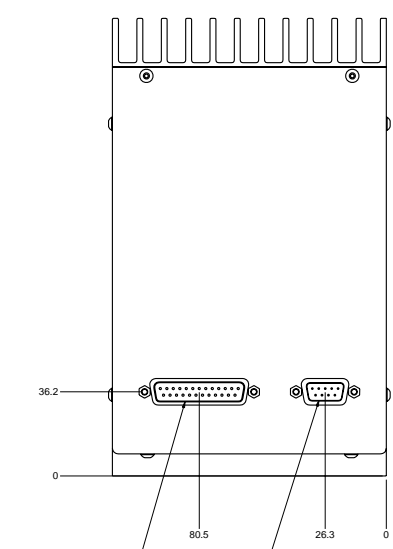


SCALE 1 / 2

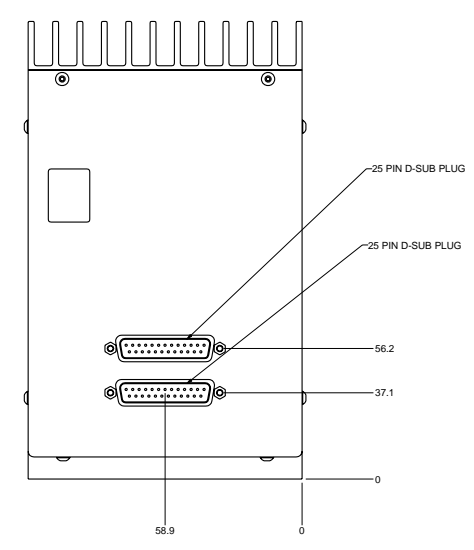
ALL CO2



VIEW A-A
SINGLE CONNECTOR
DIGITAL



VIEW A-A
DUAL CONNECTOR
DIGITAL/ANALOG



VIEW A-A
LASER INTERFACE

INTERPRET DRAWING IN ACCORDANCE WITH ISO 5725 AND 17145M

PROPERTY OF GSI LUMONICS
THIS DOCUMENT IS AND SHALL REMAIN AN UNPUBLISHED WORK OF GSI LUMONICS. PROTECTED BY COPYRIGHT. IS LOANED FOR LIMITED PURPOSES ONLY. REMAINS THE PROPERTY OF GSI LUMONICS. AND IS TO BE RETURNED UPON REQUEST. NEITHER IT NOR ANY OF THE INFORMATION CONTAINED HEREIN WILL BE REPRODUCED, USED, OR DISCLOSED TO ANYONE NOT HAVING A NEED THEREFOR CONSISTENT WITH THE PURPOSE OF THE LOAN WITHOUT WRITTEN CONSENT OF GSI LUMONICS.

UNLESS OTHERWISE SPECIFIED DIMENSIONS ARE IN MILLIMETERS TOLERANCE ARE:
X 13
X 25
X 30
X 40
X 50
X 60
X 75
X 100
X 150
X 200
X 250
X 300
X 400
X 500
X 600
X 700
X 800
X 900
X 1000
X 1500
X 2000
X 3000
X 4000
X 5000
X 6000
X 7000
X 8000
X 9000
X 10000

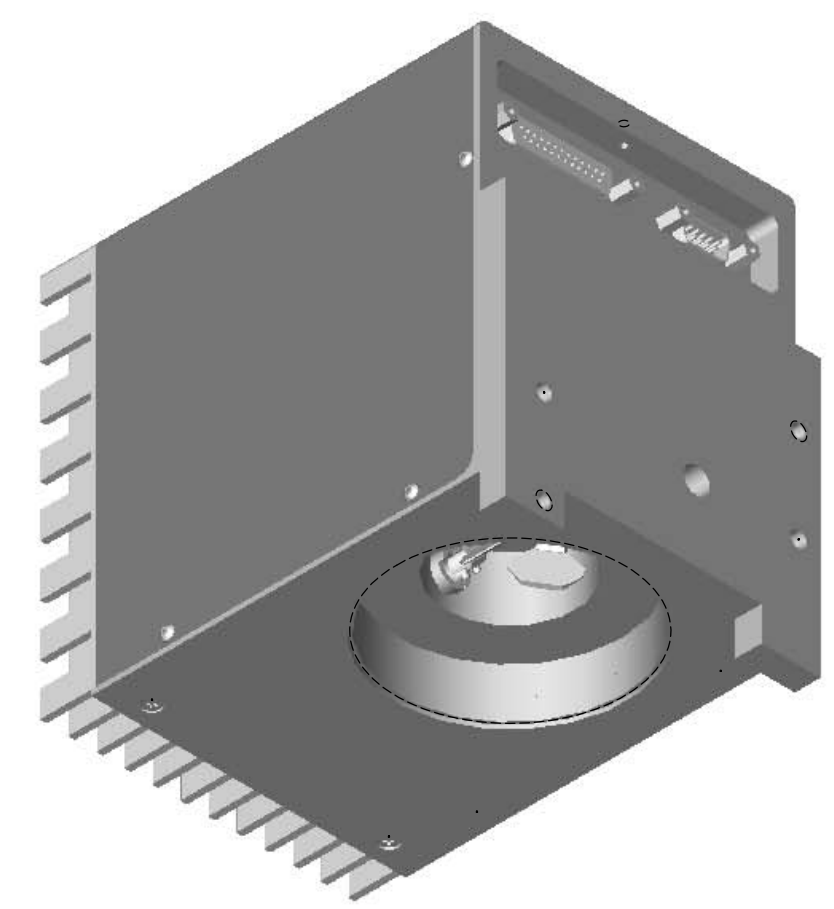
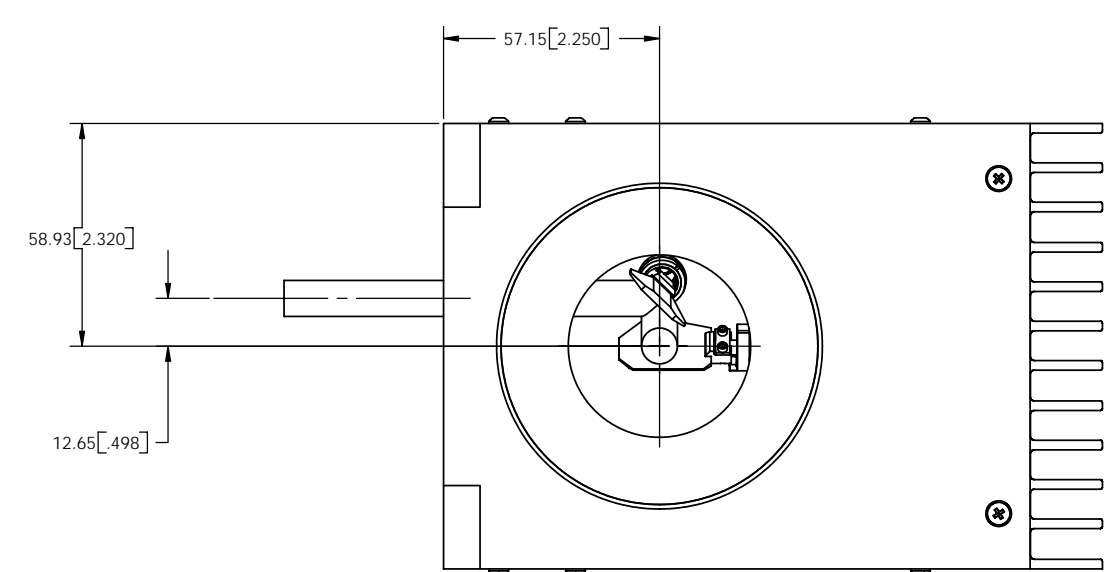
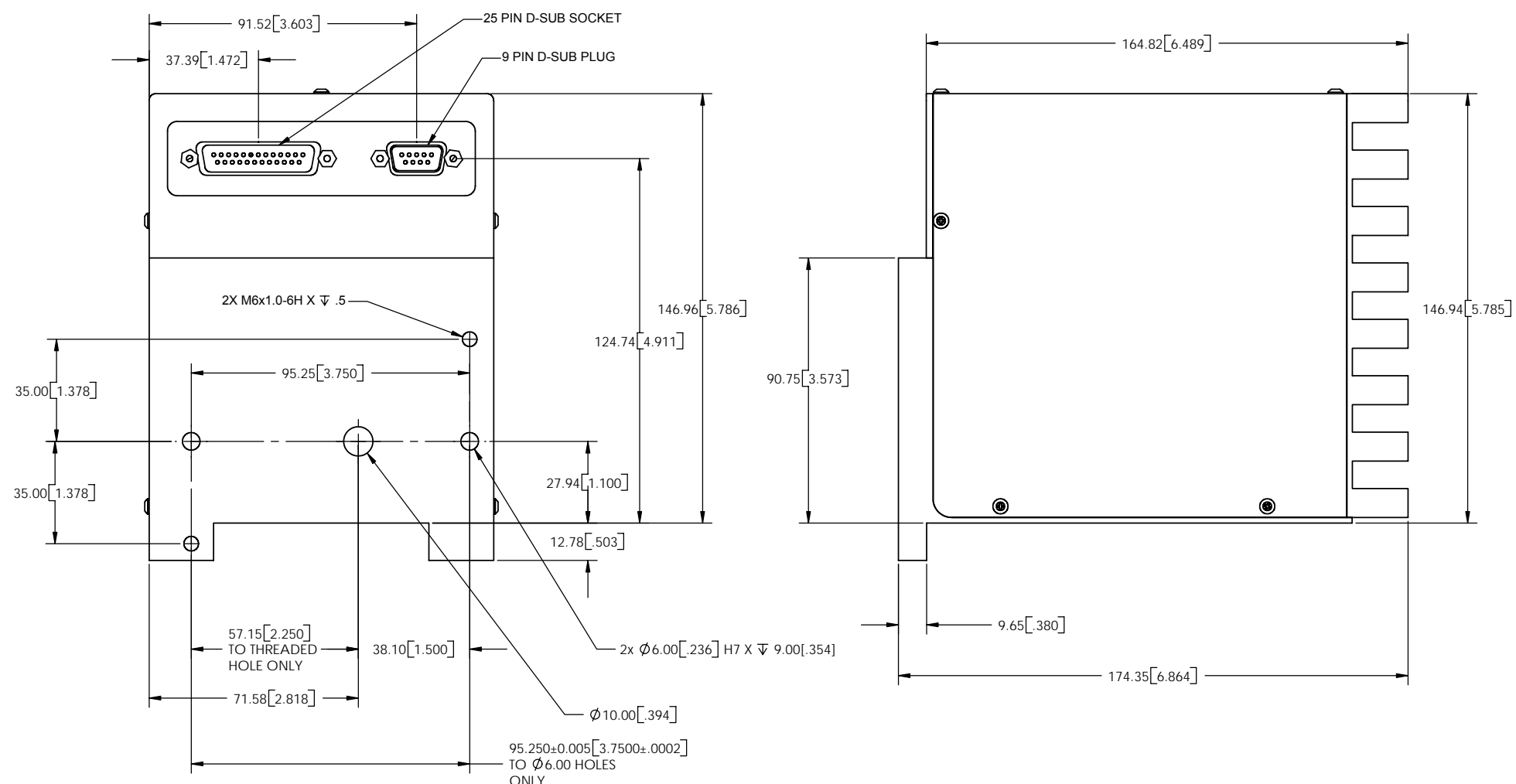
gsi lumonics COMPONENT PRODUCTS GROUP

OUTLINE AND INSTALLATION HB-10 HEADS

57246 7CD-77058

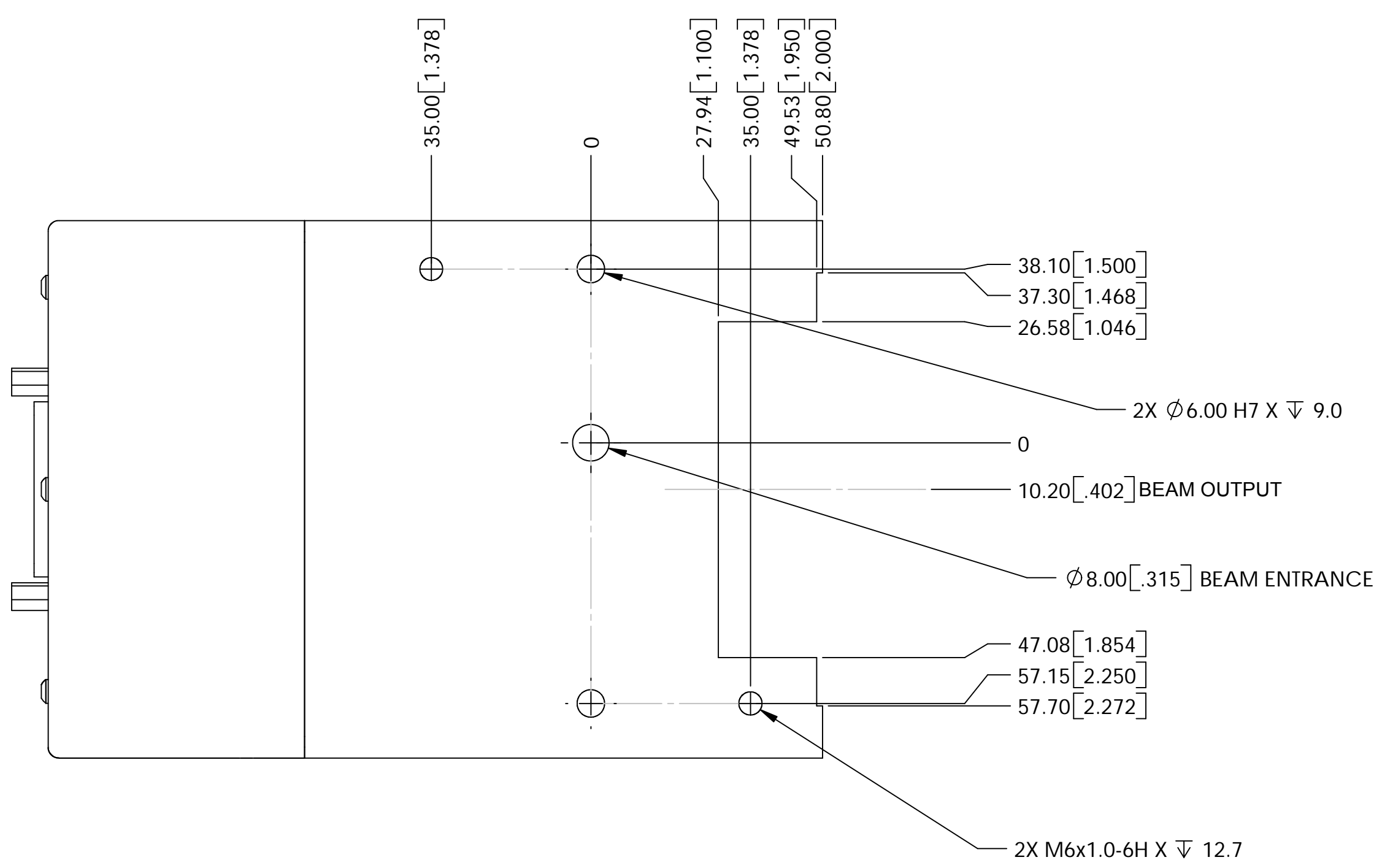
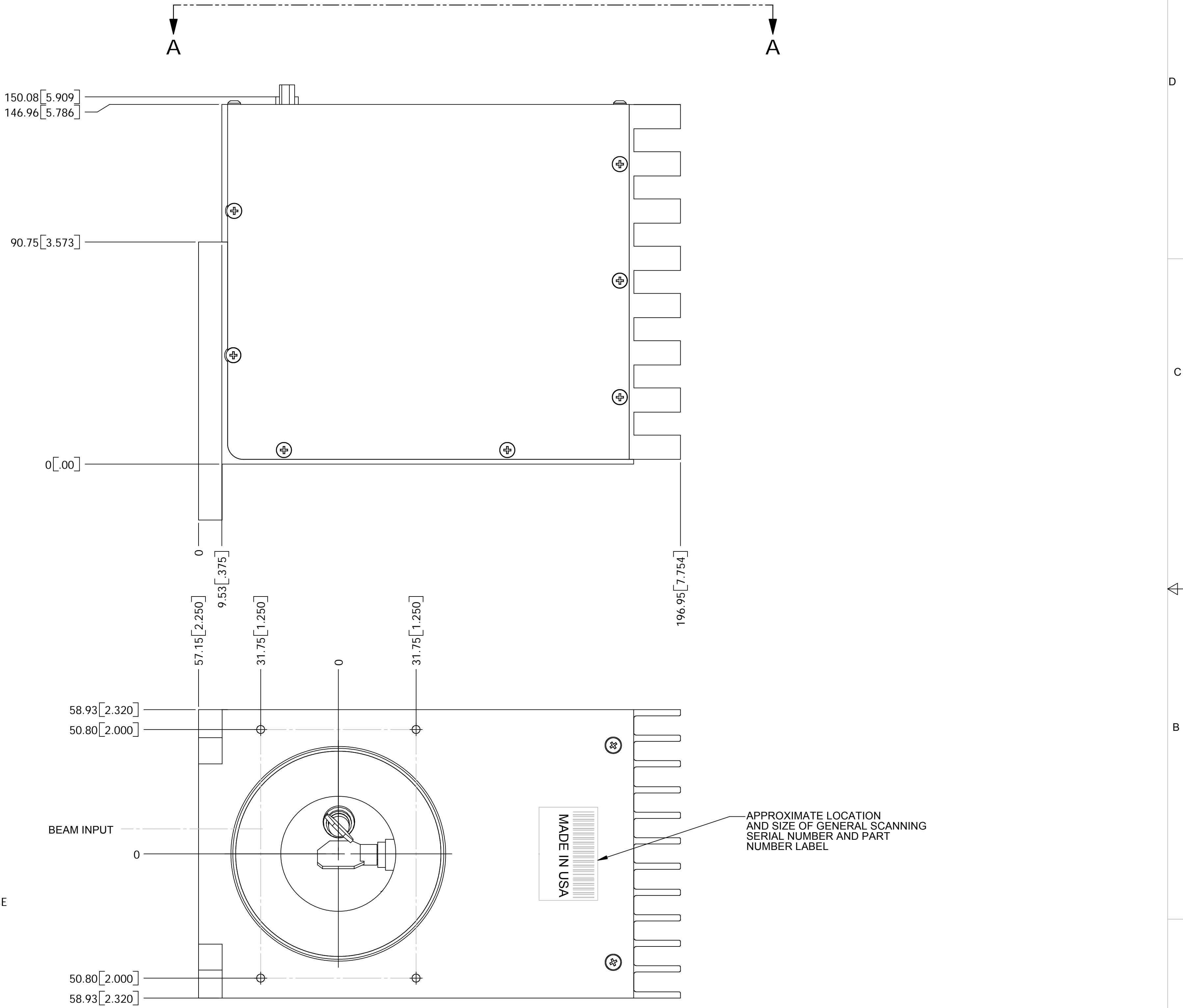
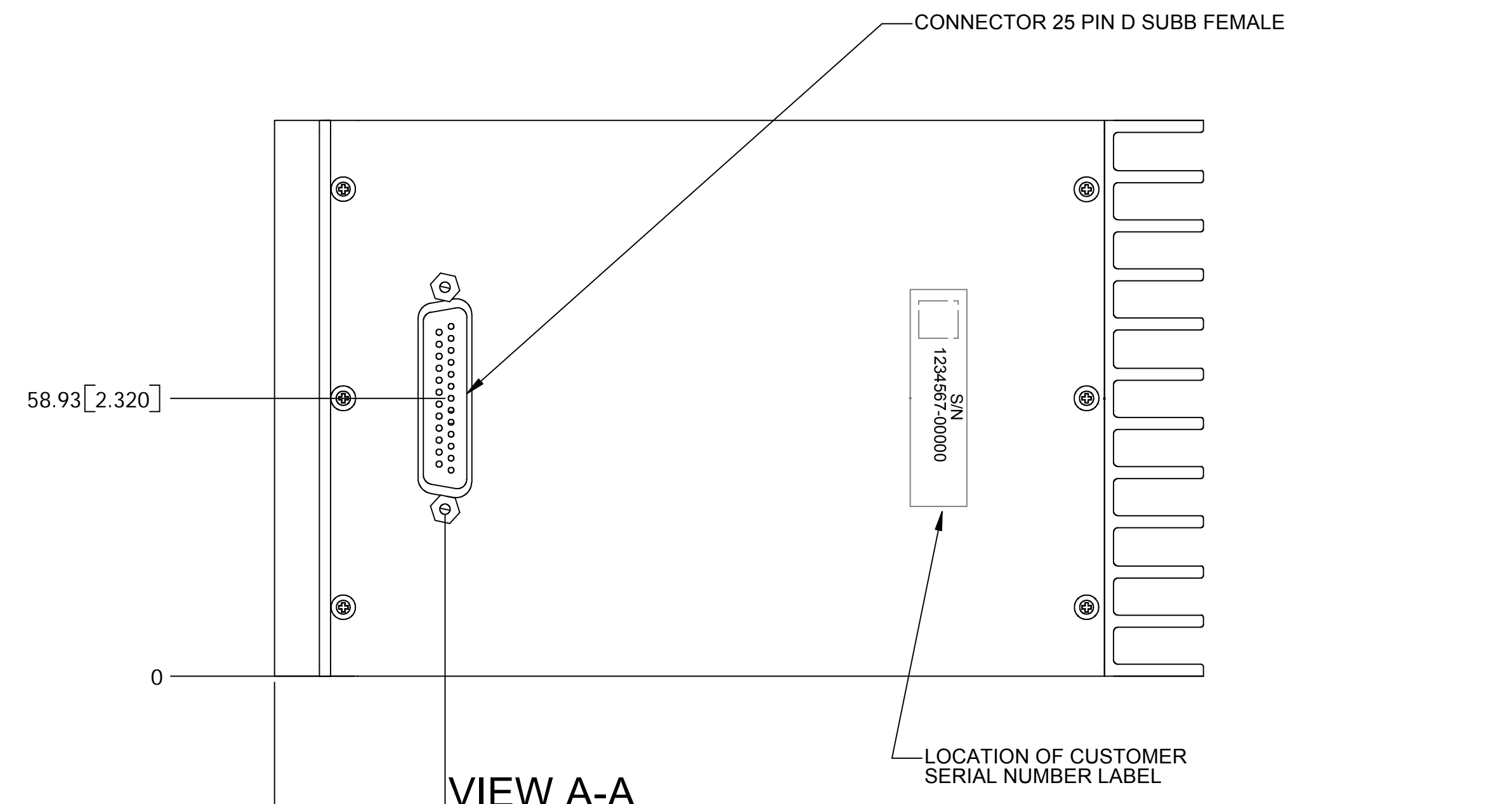
1/1 1 of 1

| REVISIONS | | | | |
|-----------|-----|----------------------------|------|----------|
| ZONE | REV | DESCRIPTION | DATE | APPROVED |
| | A | RELEASED PER ECO #2003-446 | | |



| | | | | | |
|--|--|--|--|---|--|
| INTERPRET DRAWING IN ACCORDANCE WITH DOD-STD-100, ANSI Y14-5M | | UNLESS OTHERWISE SPECIFIED, DIMENSIONS ARE IN MILLIMETERS. TOLERANCES ARE: X ± .25 X ± .25 X ± .25 JOG ± .13 X .008 ± .025 ANGLES ± 5° DO NOT SCALE DRAWING REMOVE ALL BURRS AND BREAK SHARP EDGES ALL MACHINED SURFACES 1.6 MICRONS RA | | gsi Lumonics COMPONENT PRODUCTS GROUP | |
| PROPERTY OF GSI LUMONICS THIS DOCUMENT IS AND SHALL REMAIN AN UNPUBLISHED WORK OF GSI LUMONICS PROTECTED BY COPYRIGHT, IS LOANED FOR LIMITED PURPOSES ONLY, REMAINS THE PROPERTY OF GSI LUMONICS, AND IS TO BE RETURNED UPON REQUEST. NEITHER IT NOR ANY OF THE INFORMATION IT CONTAINS WILL BE REPRODUCED, USED, OR DISCLOSED TO ANYONE NOT HAVING A NEED TO KNOW CONSISTENT WITH THE PURPOSE OF THE LOAN WITHOUT WRITTEN CONSENT OF GSI LUMONICS. | | DRAWN BY J. MARTIN DESIGN ENG MFG ENG | | 9/5/02 | |
| THIRD ANGLE PROJECTION | | SCALE 1:1 | | SHEET 1 OF 1 | |
| SIZE D | | CAGE CODE 57246 | | DRAWING No. 7CD-77797 | |
| REV A | | TITLE OUTLINE HB-10 YAG HEAD | | DATE | |

| REVISIONS | | DATE | APPROVED |
|-----------|---------------------------------|------|----------|
| 1 | UNRELEASED | | |
| 2 | REVISED TO SHOW LABEL LOCATIONS | | |
| A | RELEASE PER ECO 2004-039 | | |



INTERPRET DRAWING IN ACCORDANCE WITH DOD-STD-100, ANSI Y14-5M

PROPERTY OF GSI LUMONICS

THIS DOCUMENT IS AND SHALL REMAIN AN UNPUBLISHED WORK OF GSI LUMONICS PROTECTED BY COPYRIGHT. IS LOANED FOR LIMITED PURPOSES ONLY, REMAINS THE PROPERTY OF GSI LUMONICS, AND IS TO BE RETURNED UPON REQUEST. NEITHER IT NOR ANY OF THE INFORMATION IT CONTAINS WILL BE REPRODUCED, USED OR DISCLOSED TO ANYONE NOT HAVING A NEED-TO-KNOW CONSISTENT WITH THE PURPOSE OF THE LOAN, WITHOUT WRITTEN CONSENT OF GSI LUMONICS.

UNLESS OTHERWISE SPECIFIED DIMENSIONS ARE IN MILLIMETERS

TOLERANCES ARE:

XXX.XX ± .025

XXX.X ± .025

XXX ± .025

ANGLES .5°

DO NOT SCALE DRAWING

REMOVE ALL BURRS AND BREAK SHARP EDGES

ALL DIMENSION SURFACES 14 MICRONS RA

THIRD ANGLE PROJECTION

Gsi Lumonics COMPONENT PRODUCTS GROUP

DRAWN BY J MARTIN 1/08/04

DESIGN ENG

MFG ENG

OUTLINE 8mm HEAD

SIZE D

CAGE CODE 57246

DRAWING No 7CD-78032

REV A

SCALE 1:1

SHEET 1 OF 1