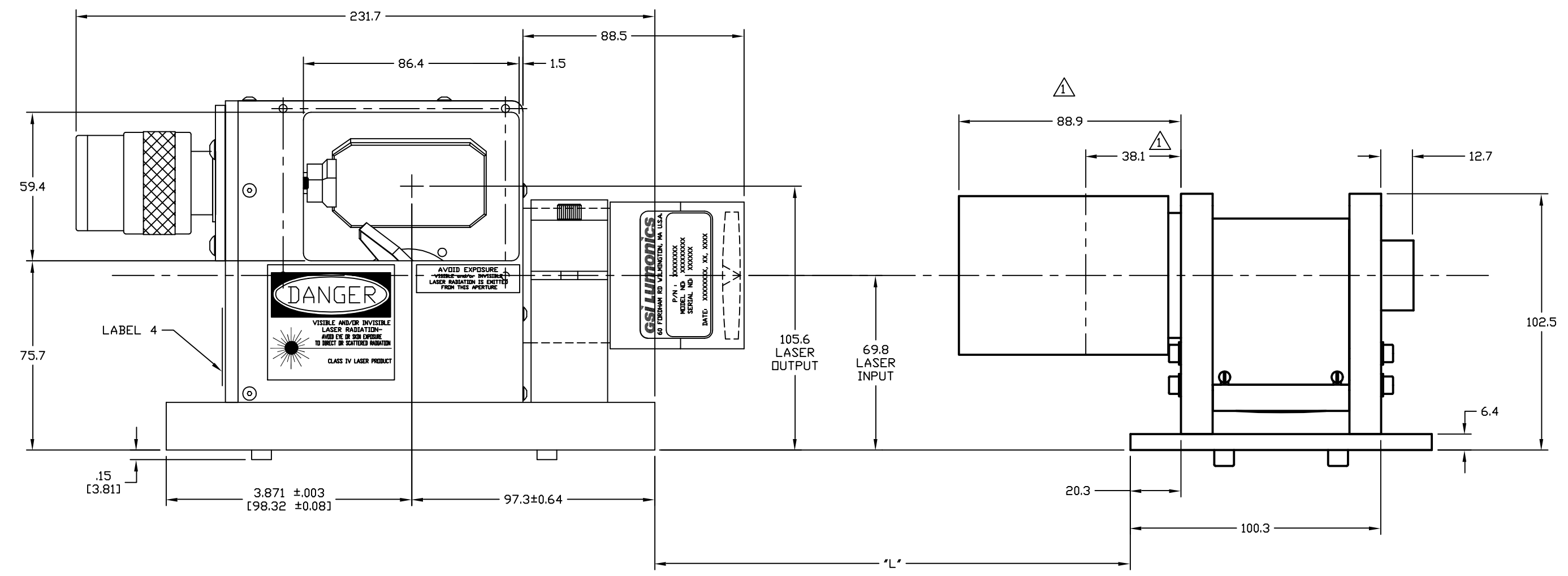


REVISIONS				
ZONE	REV	DESCRIPTION	DATE	APPROVED
-	A	RELEASED PER ECD #2002-204		



NOTES:

- ⚠ 3.50' LENGTH OUTPUT TUBE IS FOR 80 mm FIELD  
1.50' LENGTH OUTPUT TUBE IS FOR 2 M FIELD.
- ⚠ REFER TO OUTLINE DRAWING ECD-20324 FOR MORE SPECIFIC SCAN HEAD DIMENSIONS.
- ⚠ REFER TO OUTLINE DRAWING 7CD-76605 FOR MORE SPECIFIC DYNAMIC FOCUS MODULE DIMENSIONS.

"L"	FIELD SIZE
3.52 [89.40]	80 mm
1.06 [26.92]	2 M

INTERPRET DRAWING IN ACCORDANCE WITH DOD-STD-100, ANSI Y14.5M PROPERTY OF GSI LUMONICS THIS DOCUMENT IS AND SHALL REMAIN AN UNPUBLISHED WORK OF GSI LUMONICS. PROTECTED BY COPYRIGHT. IS LOANED FOR LIMITED PURPOSES ONLY. REMAINS THE PROPERTY OF GSI LUMONICS, AND IS TO BE RETURNED UPON REQUEST. NEITHER IT NOR ANY OF THE INFORMATION IT CONTAINS WILL BE REPRODUCED, USED, OR DISCLOSED TO ANYONE NOT HAVING A NEED-TO-KNOW CONSISTENT WITH THE PURPOSE OF THE LOAN, WITHOUT WRITTEN CONSENT OF GSI LUMONICS.		UNLESS OTHERWISE SPECIFIED: DIMENSIONS ARE IN MILLIMETERS. TOLERANCES ARE: X ± 2.5 X ± .25 XX ± .13 XXX ± .025 ANGLES ± .5° DO NOT SCALE DRAWING REMOVE ALL BURRS AND BREAK SHARP EDGES ALL MACHINED SURFACES 1.6 MICRON RA THIRD ANGLE PROJECTION	<b>GSI Lumonics</b> COMPONENT PRODUCTS GROUP DRAWN: J. MARTIN 6-03-02 DESIGN ENG MFG ENG CAD FILE NAME: 76625-0A	<b>OUTLINE AND INSTALLATION</b> <b>HLPK1330-17-LT3</b> SIZE: D CAGE CODE: 57246 DWG NO.: 7CD-76625 REV: A SCALE: 1/1 SHEET 1 OF 1
---	--	---	--	--

4

3

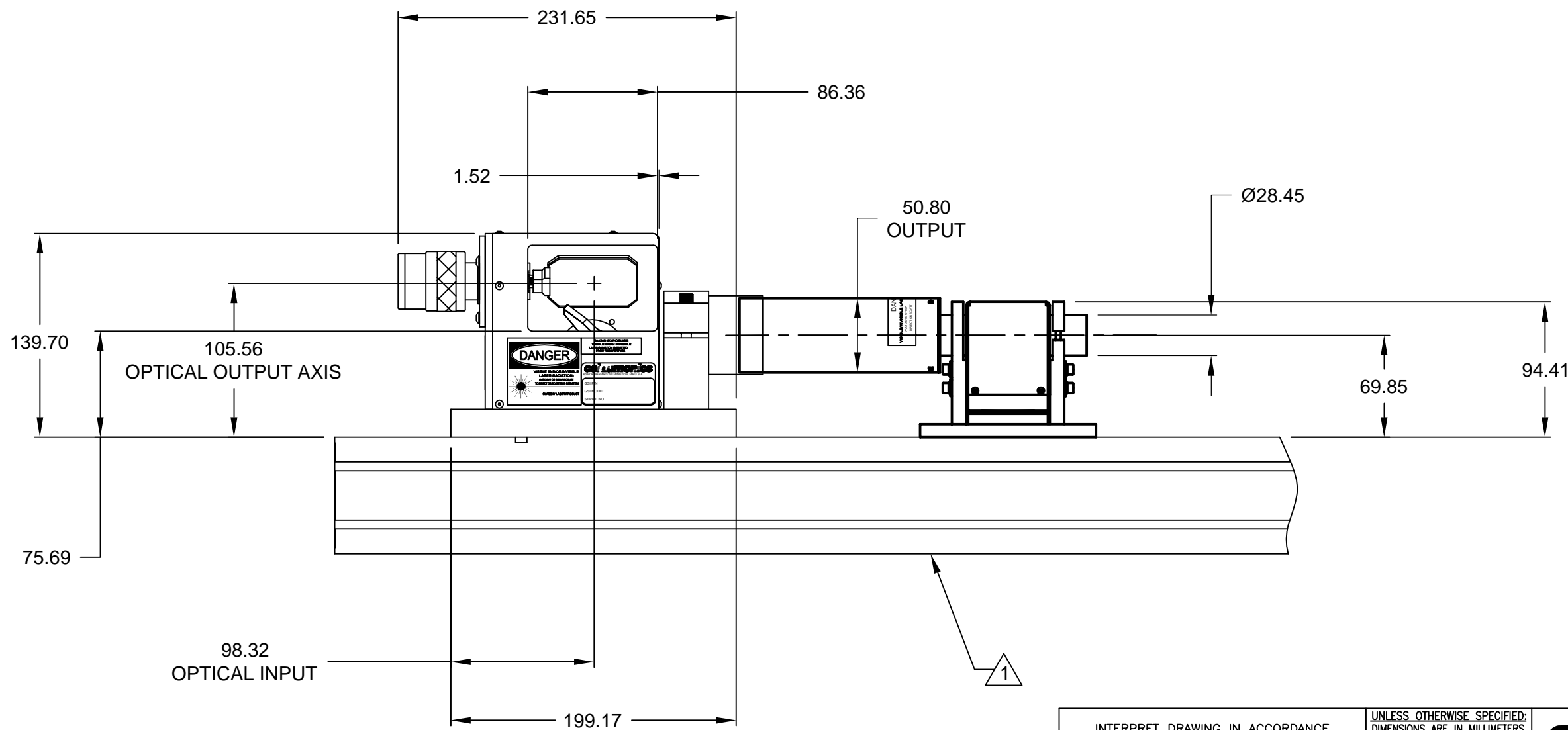
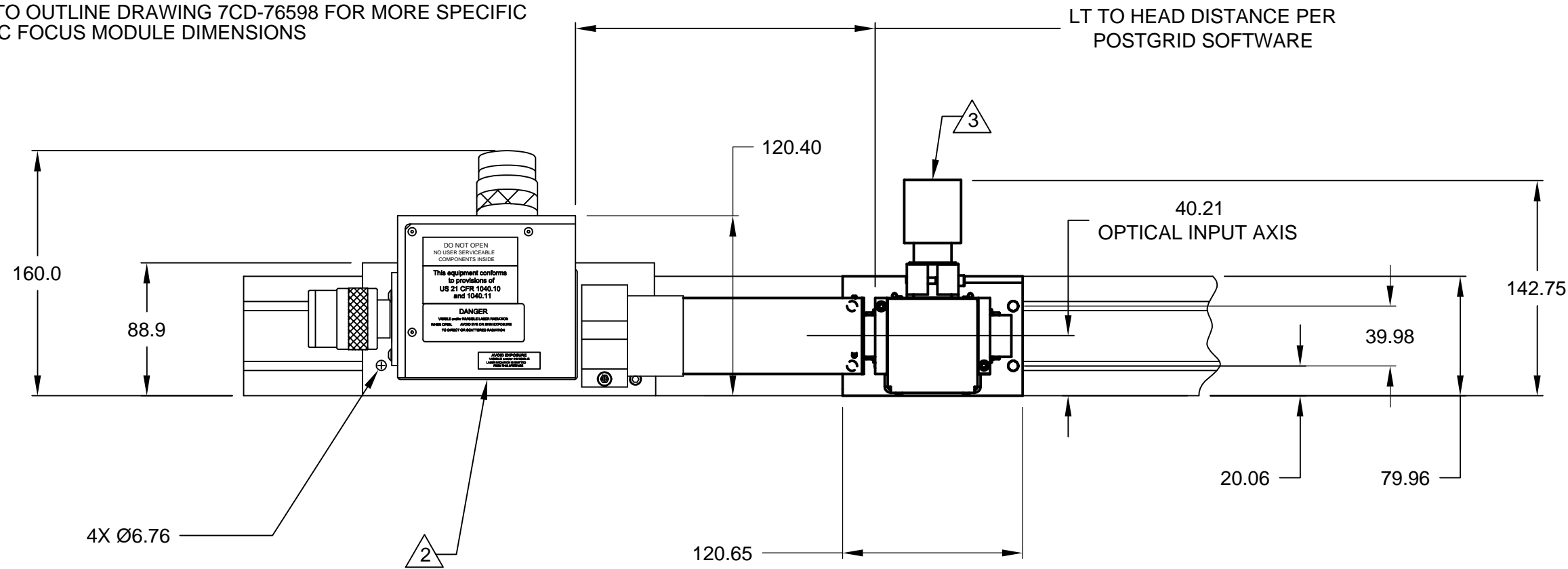
2

1

REVISIONS				
ZONE	REV	DESCRIPTION	DATE	APPROVED
	A	RELEASED PER ECN 2002-204		

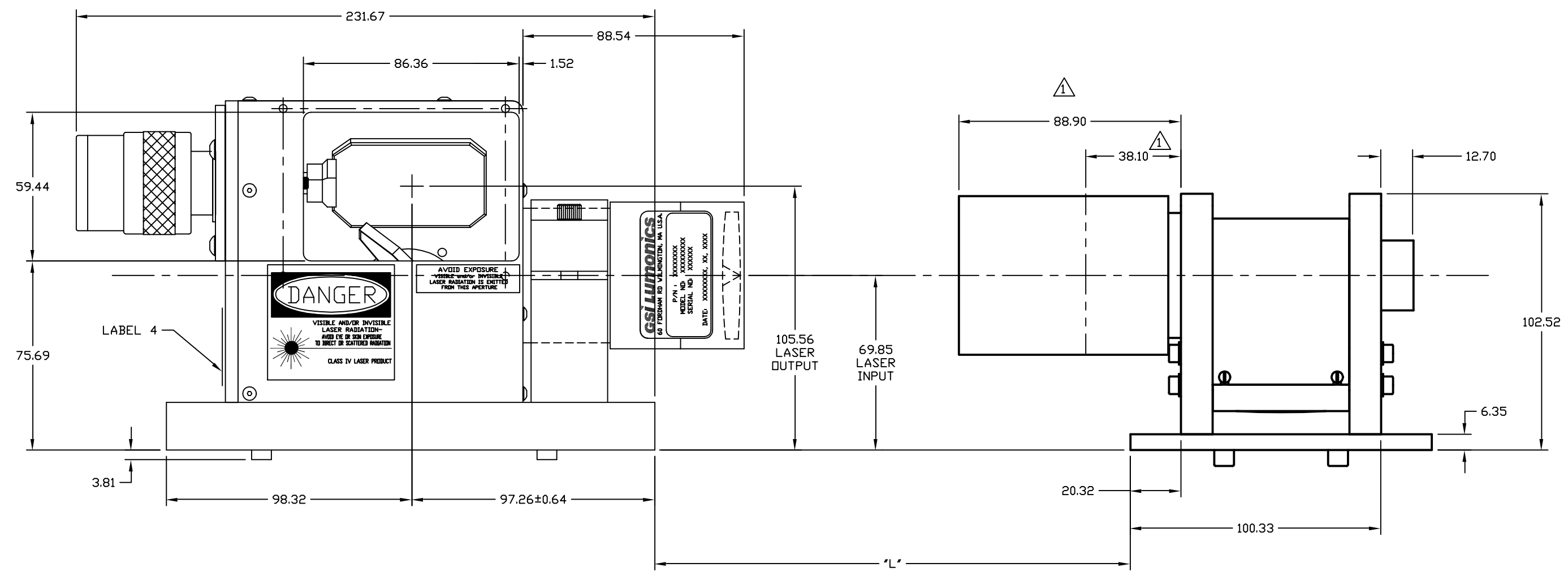
NOTE

- 1 RAIL SHOWN FOR REFERENCE ONLY
- 2 REFER TO OUTLINE DRAWING ECD-30321 FOR MORE SPECIFIC SCANHEAD DIMENSIONS
- 3 REFER TO OUTLINE DRAWING 7CD-76598 FOR MORE SPECIFIC DYNAMIC FOCUS MODULE DIMENSIONS



INTERPRET DRAWING IN ACCORDANCE WITH DOD-STD-100, ANSI Y14.5M  PROPERTY OF GSI LUMONICS THIS DOCUMENT IS AND SHALL REMAIN AN UNPUBLISHED WORK OF GSI LUMONICS PROTECTED BY COPYRIGHT, IS LOANED FOR LIMITED PURPOSES ONLY, REMAINS THE PROPERTY OF GSI LUMONICS, AND IS TO BE RETURNED UPON REQUEST. NEITHER IT NOR ANY OF THE INFORMATION IT CONTAINS WILL BE REPRODUCED, USED, OR DISCLOSED TO ANYONE NOT HAVING A NEED-TO-KNOW CONSISTENT WITH THE PURPOSE OF THE LOAN, WITHOUT WRITTEN CONSENT OF GSI LUMONICS.		UNLESS OTHERWISE SPECIFIED, DIMENSIONS ARE IN MILLIMETERS. TOLERANCES ARE: X ± 2.5 .X ± .25 .XX ± .13 .XXX ± .025 ANGLES ± .5° DO NOT SCALE DRAWING REMOVE ALL BURRS AND BREAK SHARP EDGES ALL MACHINED SURFACES 1.6 MICRON RA THIRD ANGLE PROJECTION		<b>Gsi Lumonics</b> COMPONENT PRODUCTS GROUP DRAWN: J MARTIN 5/09/02 DESIGN ENG MFG ENG		<b>OUTLINE AND INSTALLATION HPLK1330-9 W/O RAIL</b>	
CAD FILE NAME: 76601-0A		SIZE: C	CAGE CODE: 57246	DWG NO.: 7CD-76601	REV: A	SCALE: 1/3	SHEET 1 OF 1

REVISIONS				
ZONE	REV	DESCRIPTION	DATE	APPROVED
-	A	RELEASED PER ECD #2002-327	07/31/02	AZ



NOTES:

- ⚠ 3.50' LENGTH OUTPUT TUBE IS FOR 80 mm FIELD  
1.50' LENGTH OUTPUT TUBE IS FOR 2 M FIELD.
- ⚠ REFER TO OUTLINE DRAWING ECD-20324 FOR MORE SPECIFIC SCAN HEAD DIMENSIONS.
- ⚠ REFER TO OUTLINE DRAWING 7CD-76605 FOR MORE SPECIFIC DYNAMIC FOCUS MODULE DIMENSIONS.

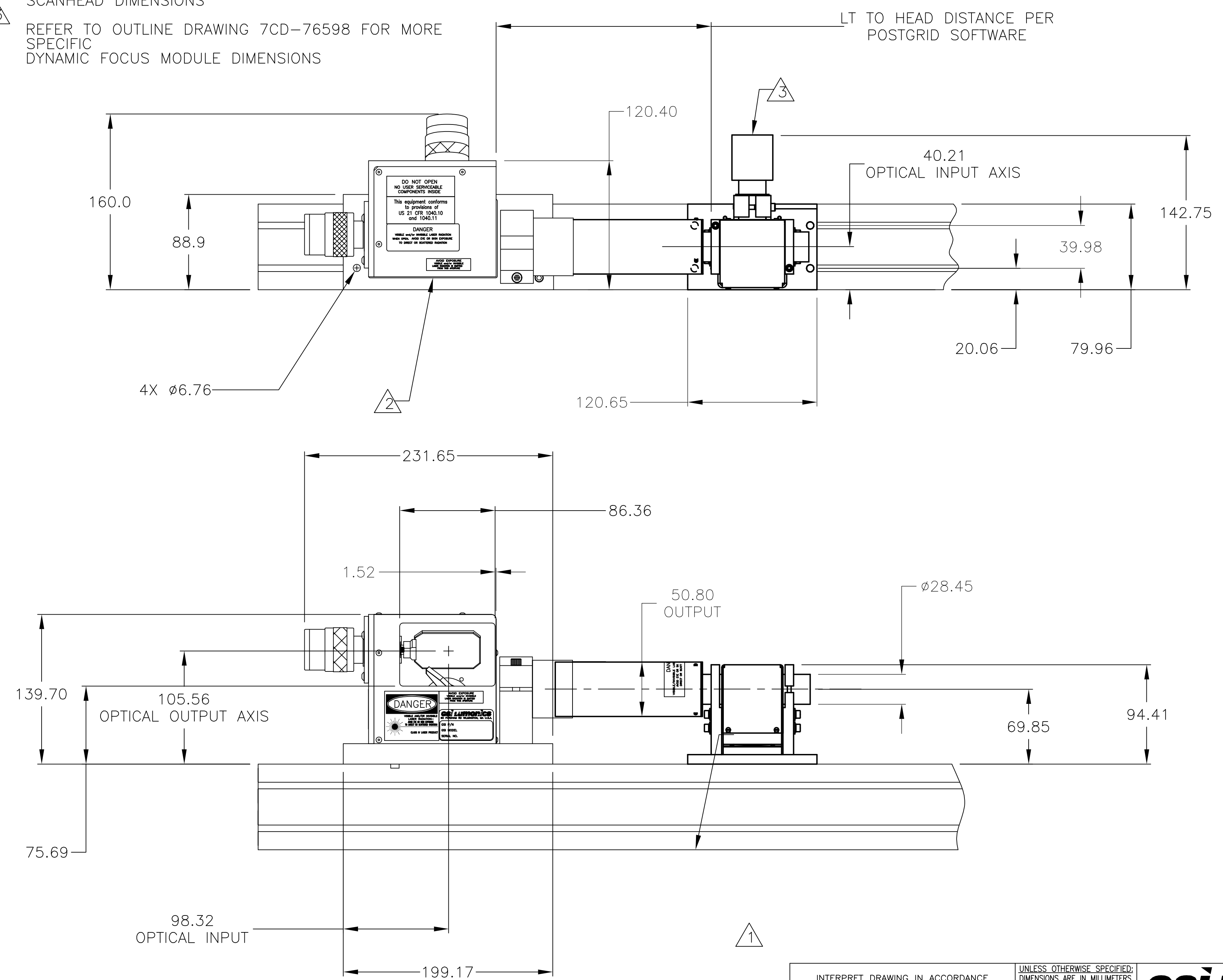
"L"	FIELD SIZE
3.52 [89.40]	80 mm
1.06 [26.92]	2 M

INTERPRET DRAWING IN ACCORDANCE WITH DOD-STD-100, ANSI Y14.5M PROPERTY OF GSI LUMONICS THIS DOCUMENT IS AND SHALL REMAIN AN UNPUBLISHED WORK OF GSI LUMONICS. PROTECTED BY COPYRIGHT. IS LOANED FOR LIMITED PURPOSES ONLY. REMAINS THE PROPERTY OF GSI LUMONICS, AND IS TO BE RETURNED UPON REQUEST. NEITHER IT NOR ANY OF THE INFORMATION IT CONTAINS WILL BE REPRODUCED, USED, OR DISCLOSED TO ANYONE NOT HAVING A NEED-TO-KNOW CONSISTENT WITH THE PURPOSE OF THE LOAN, WITHOUT WRITTEN CONSENT OF GSI LUMONICS.		UNLESS OTHERWISE SPECIFIED: DIMENSIONS ARE IN MILLIMETERS. TOLERANCES ARE: X ± 0.25 XX ± 0.13 XXX ± 0.025 ANGLES ± 0° DO NOT SCALE DRAWING REMOVE ALL BURRS AND BREAK SHARP EDGES ALL MACHINED SURFACES 1.6 MICRON RA THIRD ANGLE PROJECTION	<b>GSI Lumonics</b> COMPONENT PRODUCTS GROUP DRAWN: J. MARTIN 07/31/02 DESIGN ENG: J. MARTIN 07/31/02 MFG ENG: T. ZAMBELLA 07/31/02	<b>OUTLINE AND INSTALLATION</b> <b>HLPK1330BE-17-LT3</b> SIZE: D CAGE CODE: 57246 DWG NO.: 7CD-76770 SCALE: 1/1 SHEET 1 OF 1
---	--	--	--	---

NOTES:

- ① RAIL SHOWN FOR REFERENCE ONLY
- ② REFER TO OUTLINE DRAWING ECD-30321 FOR MORE SPECIFIC SCANHEAD DIMENSIONS
- ③ REFER TO OUTLINE DRAWING 7CD-76598 FOR MORE SPECIFIC DYNAMIC FOCUS MODULE DIMENSIONS

REVISIONS				
ZONE	REV	DESCRIPTION	DATE	APPROVED
	A	RELEASED PER ECN 2002-283		



INTERPRET DRAWING IN ACCORDANCE WITH DOD-STD-100, ANSI Y14.5M

PROPERTY OF GSI LUMONICS  
THIS DOCUMENT IS AND SHALL REMAIN AN UNPUBLISHED WORK OF GSI LUMONICS PROTECTED BY COPYRIGHT, IS LOANED FOR LIMITED PURPOSES ONLY, REMAINS THE PROPERTY OF GSI LUMONICS, AND IS TO BE RETURNED UPON REQUEST. NEITHER IT NOR ANY OF THE INFORMATION IT CONTAINS WILL BE REPRODUCED, USED, OR DISCLOSED TO ANYONE NOT HAVING A NEED-TO-KNOW CONSISTENT WITH THE PURPOSE OF THE LOAN, WITHOUT WRITTEN CONSENT OF GSI LUMONICS.

UNLESS OTHERWISE SPECIFIED, DIMENSIONS ARE IN MILLIMETERS. TOLERANCES ARE:  
X ± 2.5  
.X ± .25  
.XX ± .13  
.XXX ± .025  
ANGLES ± .5°

DO NOT SCALE DRAWING  
REMOVE ALL BURRS AND BREAK SHARP EDGES

ALL MACHINED SURFACES 1.6 MICRON RA

THIRD ANGLE PROJECTION

**gsi Lumonics** COMPONENT PRODUCTS GROUP

DRAWN	J. MARTIN	6/28/02
DESIGN ENG	P. OTAVSKY	6/28/02
MFG ENG	T. ZAMBELLA	6/28/02

OUTLINE AND INSTALLATION  
HPLKBE-1330-9 W/O RAIL

SIZE	CAGE CODE	DWG NO.	REV
C	57246	7CD-76662	A

CAD FILE NAME: 76662 SCALE: 1/3 SHEET 1 OF 1

4

3

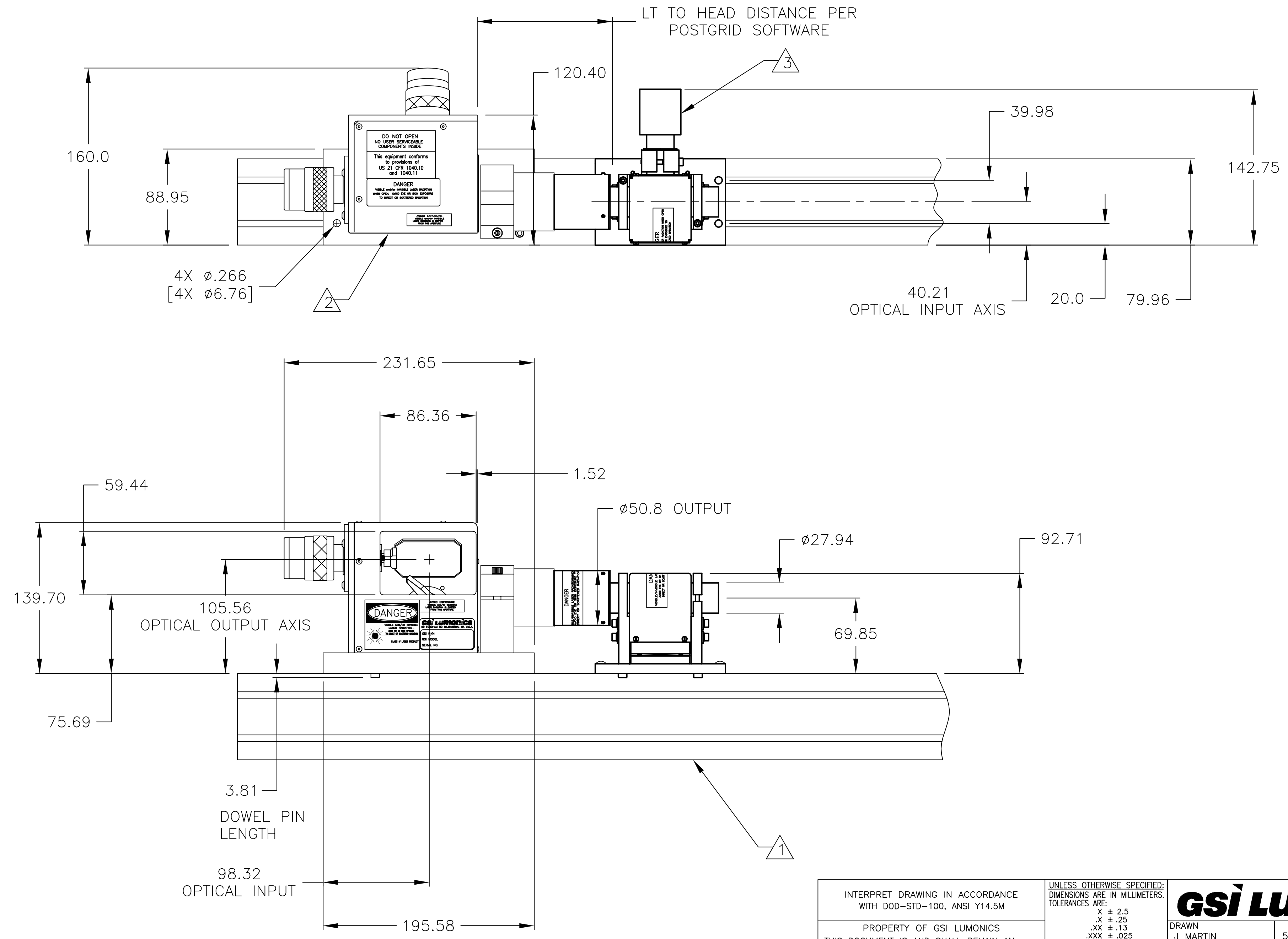
2

1

REVISIONS				
ZONE	REV	DESCRIPTION	DATE	APPROVED
-	A	RELEASED PER ECO # 2002-204		

NOTES:

- ① RAIL SHOWN FOR REFERENCE ONLY.
- ② REFER TO OUTLINE DRAWING 7CD-76599 FOR MORE SPECIFIC SCAN HEAD DIMENSIONS.
- ③ REFER TO OUTLINE DRAWING 7CD-76609 FOR MORE SPECIFIC DYNAMIC FOCUS MODULE DIMENSIONS.



INTERPRET DRAWING IN ACCORDANCE WITH DOD-STD-100, ANSI Y14.5M

PROPERTY OF GSI LUMONICS  
THIS DOCUMENT IS AND SHALL REMAIN AN UNPUBLISHED WORK OF GSI LUMONICS PROTECTED BY COPYRIGHT, IS LOANED FOR LIMITED PURPOSES ONLY, REMAINS THE PROPERTY OF GSI LUMONICS, AND IS TO BE RETURNED UPON REQUEST. NEITHER IT NOR ANY OF THE INFORMATION IT CONTAINS WILL BE REPRODUCED, USED, OR DISCLOSED TO ANYONE NOT HAVING A NEED-TO-KNOW CONSISTENT WITH THE PURPOSE OF THE LOAN, WITHOUT WRITTEN CONSENT OF GSI LUMONICS.

UNLESS OTHERWISE SPECIFIED: DIMENSIONS ARE IN MILLIMETERS. TOLERANCES ARE:  
X  $\pm 2.5$   
.X  $\pm .25$   
.XX  $\pm .13$   
.XXX  $\pm .025$   
ANGLES  $\pm .5^\circ$

DO NOT SCALE DRAWING REMOVE ALL BURRS AND BREAK SHARP EDGES

ALL MACHINED SURFACES 1.6 MICRON RA

THIRD ANGLE PROJECTION

**gsi Lumonics** COMPONENT PRODUCTS GROUP

DRAWN	J MARTIN	5/29/02	OUTLINE AND INSTALLATION HPLK2330-9 W/O RAIL
DESIGN ENG			
MFG ENG			

SIZE	CAGE CODE	DWG NO.	REV
C	57246	7CD-76611	A

CAD FILE NAME: 76611-0A      SCALE: 1/3      SHEET 1 OF 1

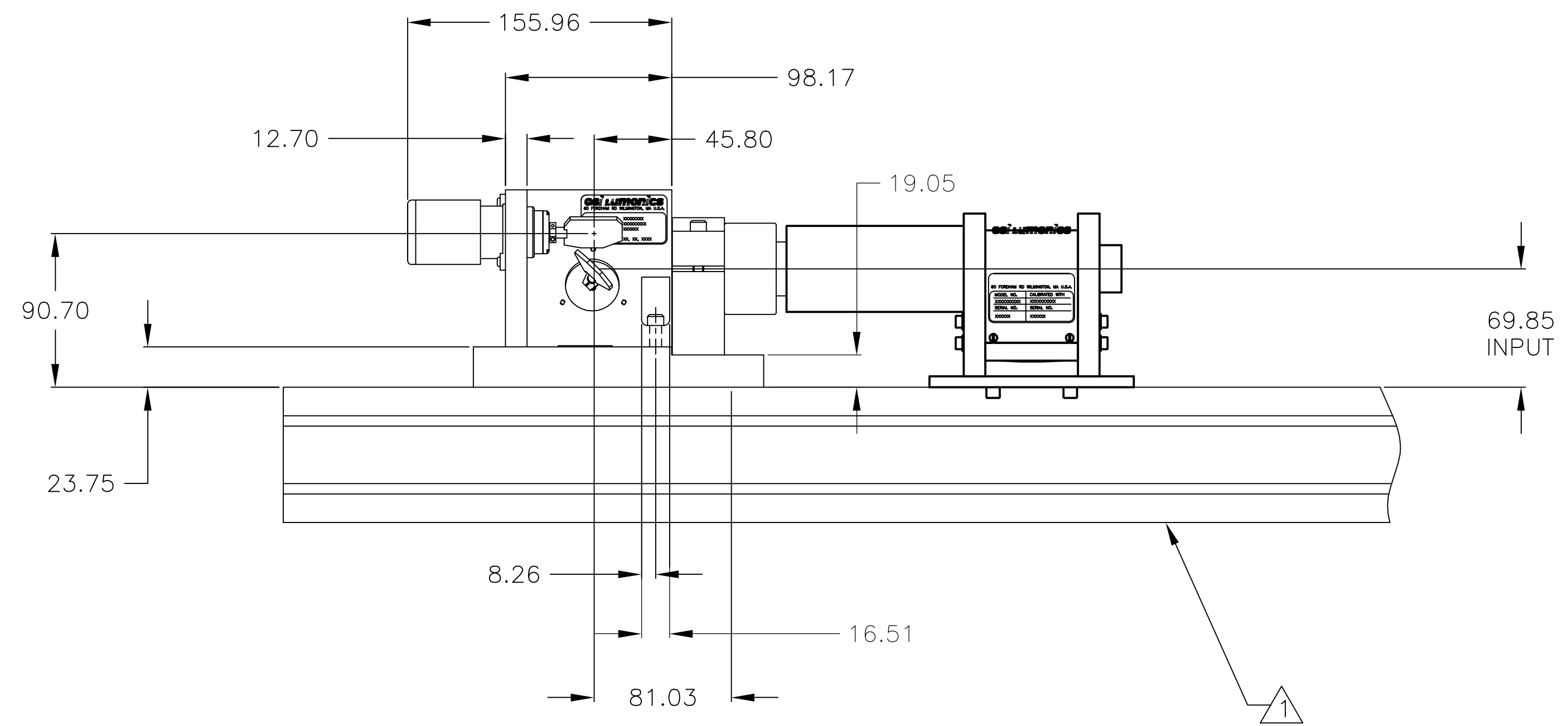
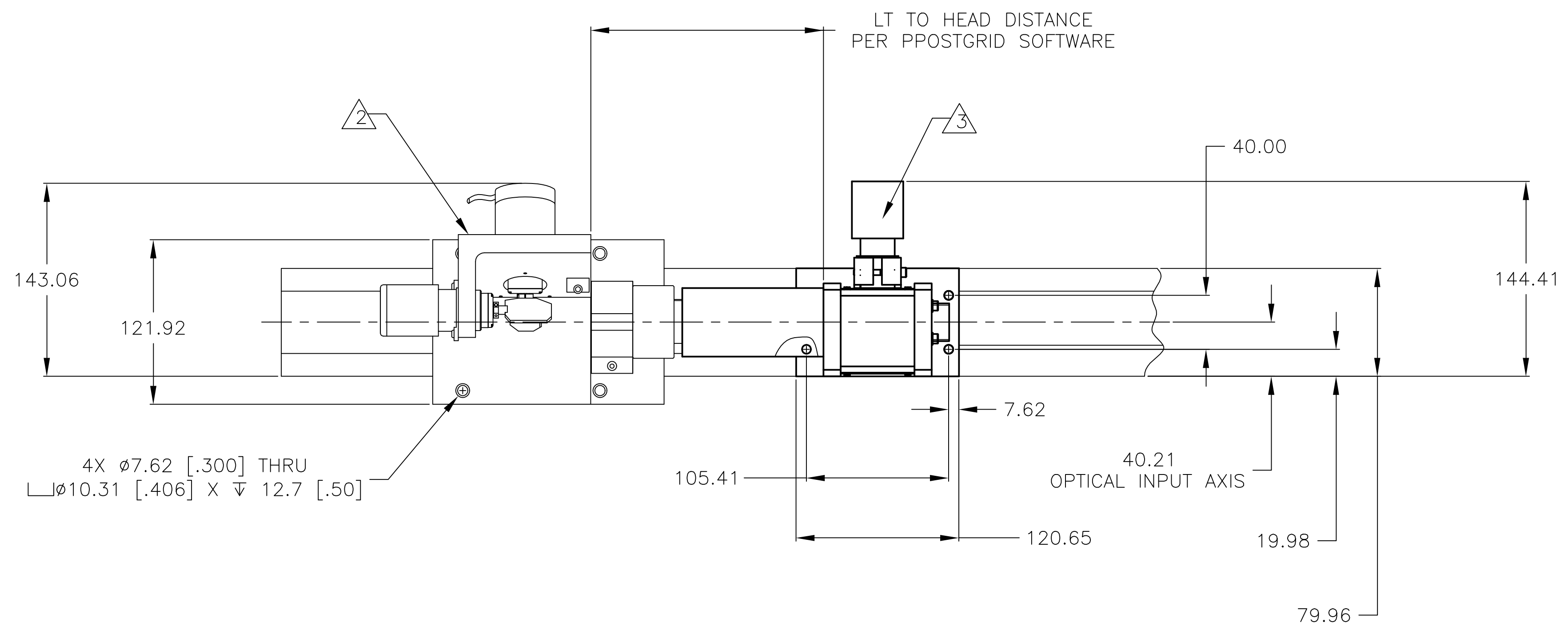
4

3

2

1

REVISIONS				
ZONE	REV	DESCRIPTION	DATE	APPROVED
-	A	RELEASED PER ECO 2002-283		



NOTES:

- ① RAIL SHOWN FOR REFERENCE ONLY.
- ② REFER TO OUTLINE DRAWING ECD-20324 FOR MORE SPECIFIC SCAN HEAD DIMENSIONS.
- ③ REFER TO OUTLINE DRAWING 7CD-76657 FOR MORE SPECIFIC DYNAMIC FOCUS MODULE DIMENSIONS.

INTERPRET DRAWING IN ACCORDANCE WITH DOD-STD-100, ANSI Y14.5M

PROPERTY OF GSI LUMONICS  
THIS DOCUMENT IS AND SHALL REMAIN AN UNPUBLISHED WORK OF GSI LUMONICS PROTECTED BY COPYRIGHT, IS LOANED FOR LIMITED PURPOSES ONLY, REMAINS THE PROPERTY OF GSI LUMONICS, AND IS TO BE RETURNED UPON REQUEST. NEITHER IT NOR ANY OF THE INFORMATION IT CONTAINS WILL BE REPRODUCED, USED, OR DISCLOSED TO ANYONE NOT HAVING A NEED-TO-KNOW CONSISTENT WITH THE PURPOSE OF THE LOAN, WITHOUT WRITTEN CONSENT OF GSI LUMONICS.

UNLESS OTHERWISE SPECIFIED: DIMENSIONS ARE IN MILLIMETERS. TOLERANCES ARE:  
X ± 2.5  
.X ± .25  
.XX ± .13  
.XXX ± .025  
ANGLES ± .5°  
DO NOT SCALE DRAWING REMOVE ALL BURRS AND BREAK SHARP EDGES  
ALL MACHINED SURFACES 1.6 MICRON RA

THIRD ANGLE PROJECTION

**gsi Lumonics** COMPONENT PRODUCTS GROUP

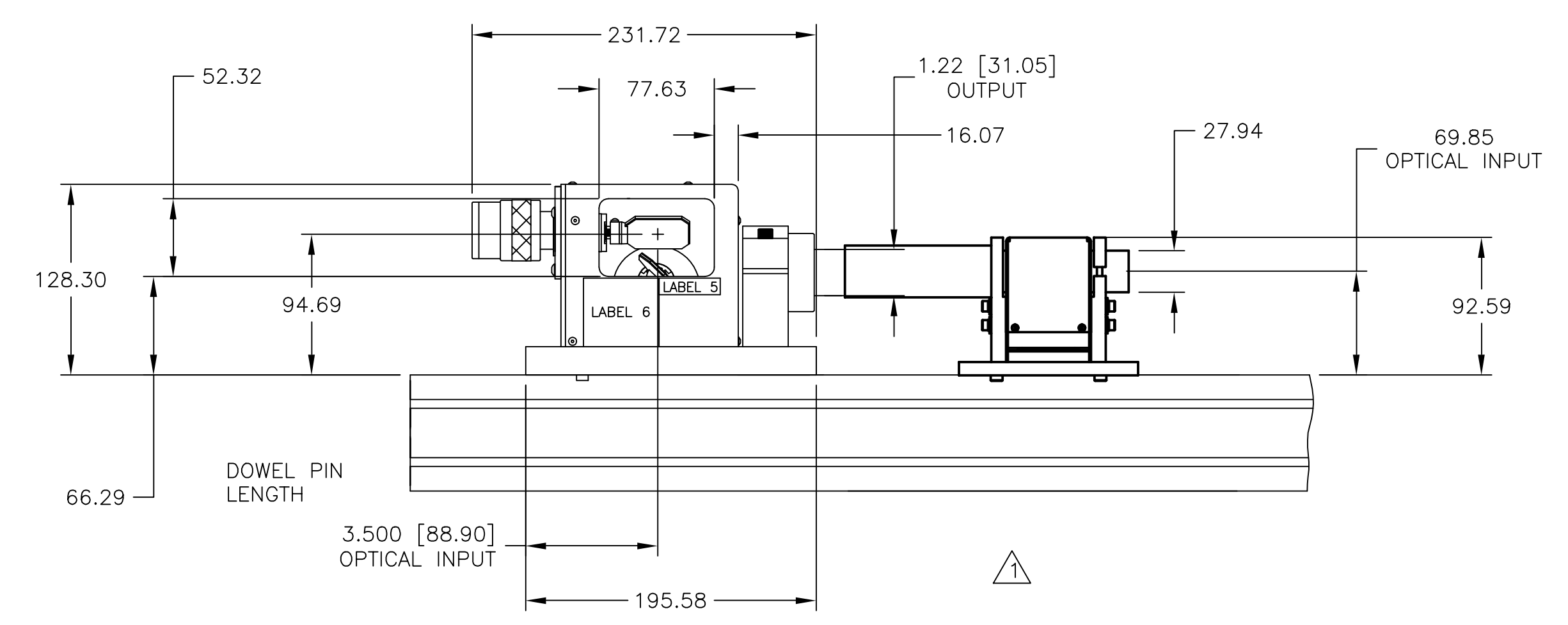
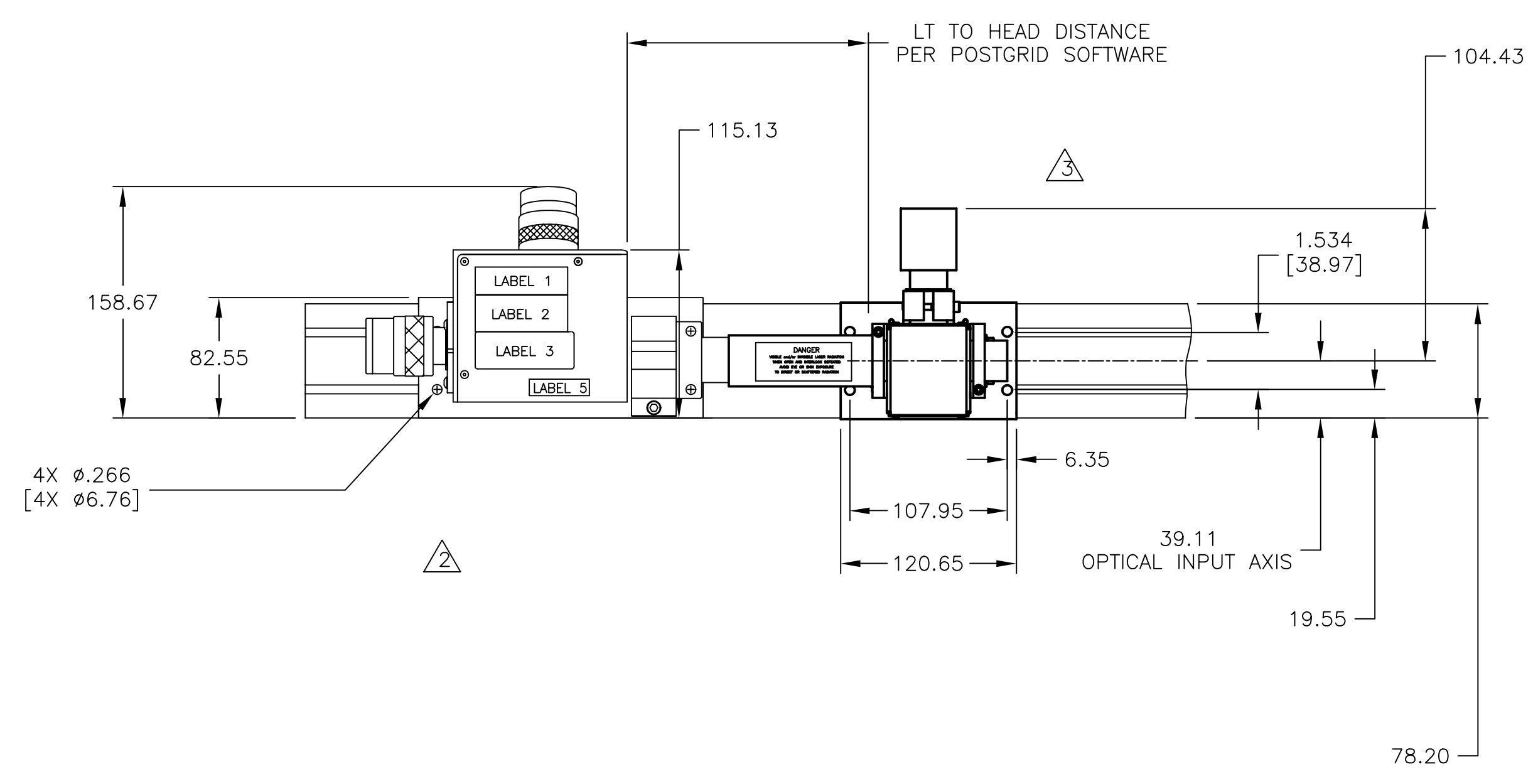
DRAWN	J. MARTIN	6-28-02
DESIGN ENG	P. OTAVSKY	6-28-02
MFG ENG	T. ZAMBELLA	6-28-02

OUTLINE AND INSTALLATION  
HPLK4315, UV 15mm

SIZE	CAGE CODE	DWG NO.	REV
C	57246	7CD-76658	A

CAD FILE NAME: 76658.DWG SCALE: 1/1 SHEET 1 OF 1

REVISIONS				
ZONE	REV	DESCRIPTION	DATE	APPROVED
-	A	RELEASED PER ECO #2002-318		



- NOTES:
- ① RAIL SHOWN FOR REFERENCE ONLY.
  - ② REFER TO OUTLINE DRAWING ECD-20332 FOR MORE SPECIFIC SCAN HEAD DIMENSIONS.
  - ③ REFER TO OUTLINE DRAWING 7CD-76623 FOR MORE SPECIFIC DYNAMIC FOCUS MODULE DIMENSIONS.

INTERPRET DRAWING IN ACCORDANCE WITH DOD-STD-100, ANSI Y14.5M UNLESS OTHERWISE SPECIFIED: DIMENSIONS ARE IN MILLIMETERS. TOLERANCES ARE: X ± 2.5 XX ± .25 XXX ± .125 ANGLES ± .5° DO NOT SCALE DRAWING REMOVE ALL BURRS AND BREAK SHARP EDGES ALL MACHINED SURFACES 1.6 MICRON RA THIRD ANGLE PROJECTION		<b>gsi Lumonics</b> COMPONENT PRODUCTS GROUP DRAWN: J. MARTIN 07-25-02 DESIGN ENG: P. OTAVSKY 07-25-02 MFG ENG: T. ZAMBELLA 07-25-02		OUTLINE AND INSTALLATION HPLK4320 UV 20mm SIZE: D CAGE CODE: 57246 DWG NO.: 7CD-76741 SCALE: 1/3 SHEET 1 OF 1	
PROPERTY OF GSI LUMONICS THIS DOCUMENT IS AND SHALL REMAIN AN UNPUBLISHED WORK OF GSI LUMONICS PROTECTED BY COPYRIGHT. IS LOANED FOR LIMITED PURPOSES ONLY. REMAINS THE PROPERTY OF GSI LUMONICS, AND IS TO BE RETURNED UPON REQUEST. NEITHER IT NOR ANY OF THE INFORMATION IT CONTAINS WILL BE REPRODUCED, USED, OR DISCLOSED TO ANYONE NOT HAVING A NEED-TO-KNOW CONSISTENT WITH THE PURPOSE OF THE LOAN, WITHOUT WRITTEN CONSENT OF GSI LUMONICS.		REV: A		REV: A	

4

3

2

1

REVISIONS				
ZONE	REV	DESCRIPTION	DATE	APPROVED
-	A	RELEASED PER ECO#2002-318		

D

D

C

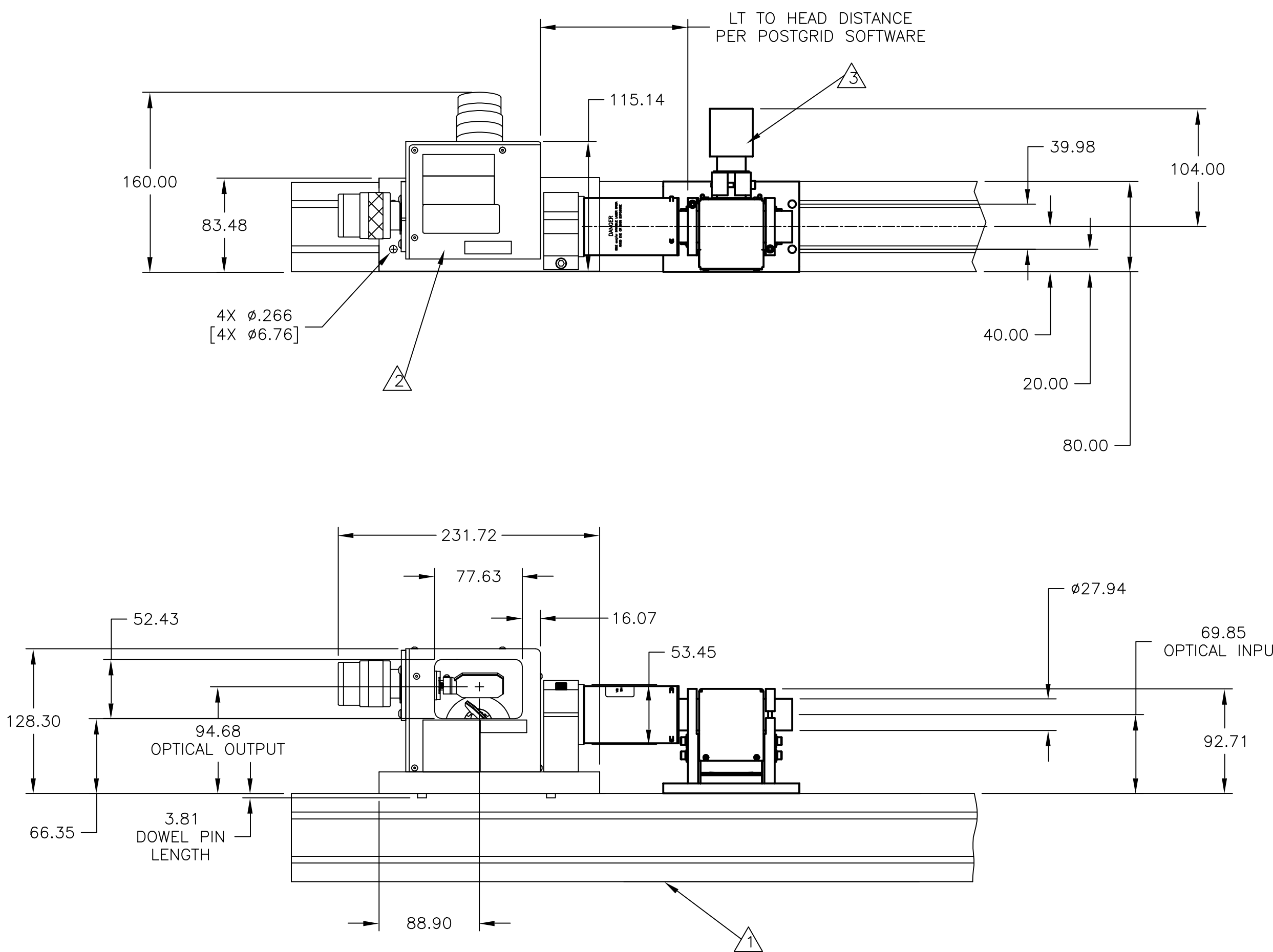
C

B

B

A

A



NOTES:

- ① RAIL SHOWN FOR REFERENCE ONLY.
- ② REFER TO OUTLINE DRAWING 7CD-76747 FOR MORE SPECIFIC SCAN HEAD DIMENSIONS.
- ③ REFER TO OUTLINE DRAWING 7CD-76754 FOR MORE SPECIFIC DYNAMIC FOCUS MODULE DIMENSIONS.

INTERPRET DRAWING IN ACCORDANCE WITH DOD-STD-100, ANSI Y14.5M PROPERTY OF GSI LUMONICS THIS DOCUMENT IS AND SHALL REMAIN AN UNPUBLISHED WORK OF GSI LUMONICS PROTECTED BY COPYRIGHT, IS LOANED FOR LIMITED PURPOSES ONLY, REMAINS THE PROPERTY OF GSI LUMONICS, AND IS TO BE RETURNED UPON REQUEST. NEITHER IT NOR ANY OF THE INFORMATION IT CONTAINS WILL BE REPRODUCED, USED, OR DISCLOSED TO ANYONE NOT HAVING A NEED-TO-KNOW CONSISTENT WITH THE PURPOSE OF THE LOAN, WITHOUT WRITTEN CONSENT OF GSI LUMONICS.		UNLESS OTHERWISE SPECIFIED: DIMENSIONS ARE IN MILLIMETERS. TOLERANCES ARE: X ± 2.5 .X ± .25 .XX ± .13 .XXX ± .025 ANGLES ± .5° DO NOT SCALE DRAWING REMOVE ALL BURRS AND BREAK SHARP EDGES ALL MACHINED SURFACES 1.6 MICRON RA THIRD ANGLE PROJECTION		<b>Gsi Lumonics</b> COMPONENT PRODUCTS GROUP DRAWN: J MARTIN 07/29/02 DESIGN ENG MFG ENG		<b>OUTLINE AND INSTALLATION HPLK5320 AR, 20mm</b>	
CAD FILE NAME: 76749		SIZE: C	CAGE CODE: 57246	DWG NO.: 7CD-76749	REV: A	SCALE: 1/1 SHEET 1 OF 1	

4

3

2

1