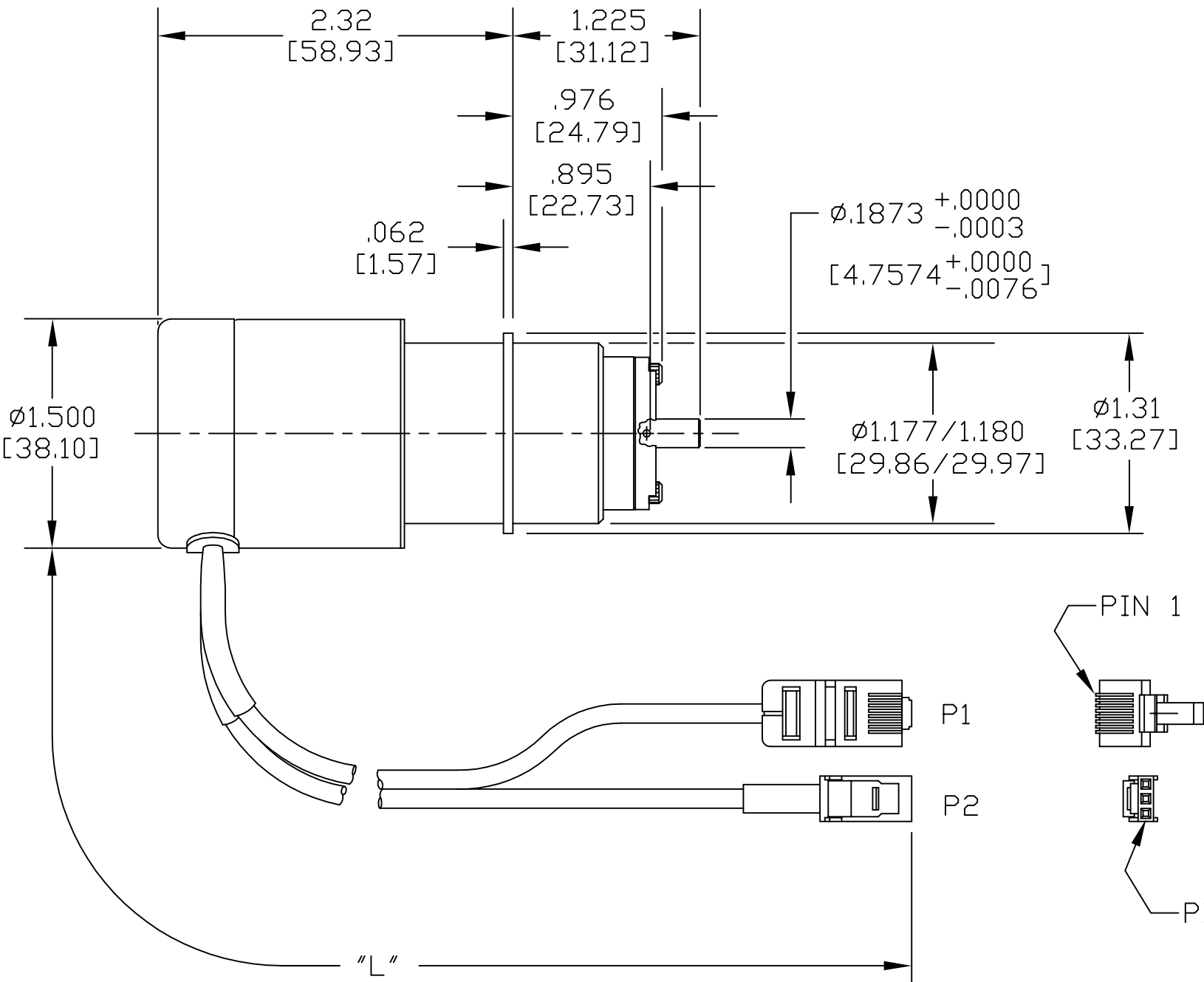
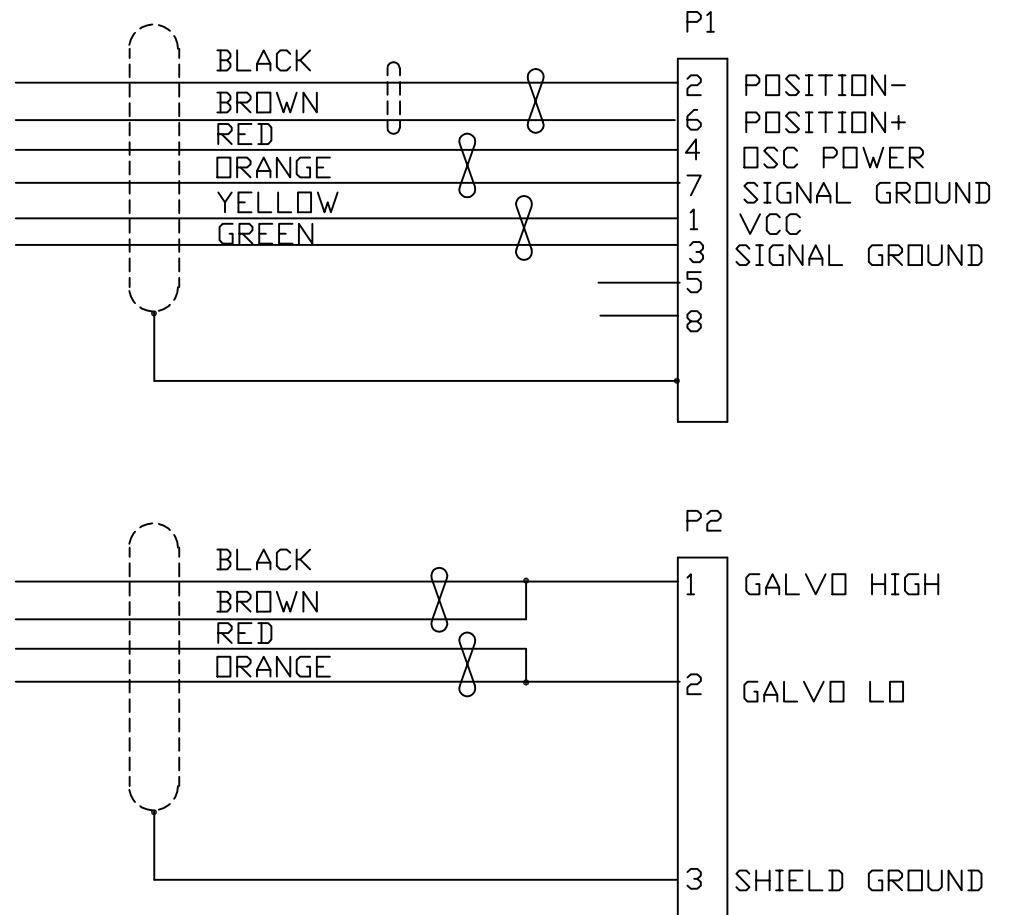


DWG NO. 3CD-17925 SH 1 REV B

REVISIONS				
ZONE	REV	DESCRIPTION	DATE	APPROVED
-	B	CHG. PER ECO #980312		

NOTES:



GSI PART NO.	"L" (INCHES)
000-3008538	11.0 MIN
000-3008539	38.0 MIN
000-3008540	77.0 MIN

INTERPRET DRAWING IN ACCORDANCE WITH DOD-STD-100, ANSI Y14.5M-1994

PROPERTY OF GENERAL SCANNING THIS DOCUMENT IS AND SHALL REMAIN AN UNPUBLISHED WORK OF GENERAL SCANNING PROTECTED BY COPYRIGHT. IS LOANED FOR LIMITED PURPOSES ONLY, REMAINS THE PROPERTY OF GENERAL SCANNING, AND IS TO BE RETURNED UPON REQUEST. NEITHER IT NOR ANY OF THE INFORMATION IT CONTAINS WILL BE REPRODUCED, USED, OR DISCLOSED TO ANYONE NOT HAVING A NEED-TO-KNOW CONSISTENT WITH THE PURPOSE OF THE LOAN, WITHOUT WRITTEN CONSENT OF GENERAL SCANNING.

UNLESS OTHERWISE SPECIFIED: DIMENSIONS ARE IN INCHES

TOLERANCES ARE:
 .X ± .1
 .XX ± .01
 .XXX ± .005
 .XXXX ± .0010
 ANGLES ± .5°

DO NOT SCALE DRAWING REMOVE ALL BURRS AND BREAK SHARP EDGES

ALL MACH SURFACES 63/

THIRD ANGLE PROJECTION

DRAWN	98-12-07
DESIGN ENGR	M. B. 12/5/96
MFG	GARY POALUCCI 12/4/96
Q.A.	
APPD	
APPD	
CAD FILE NAME	17925-0B

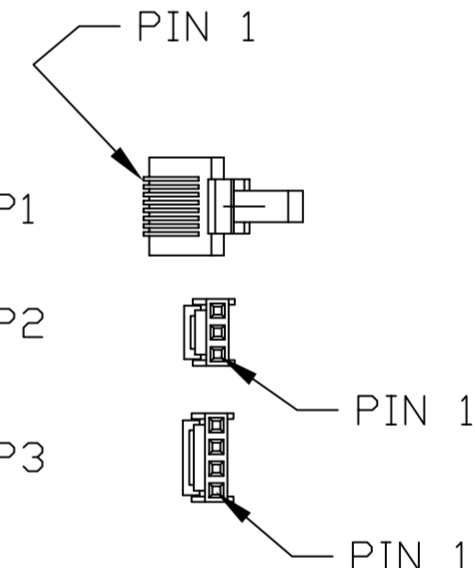
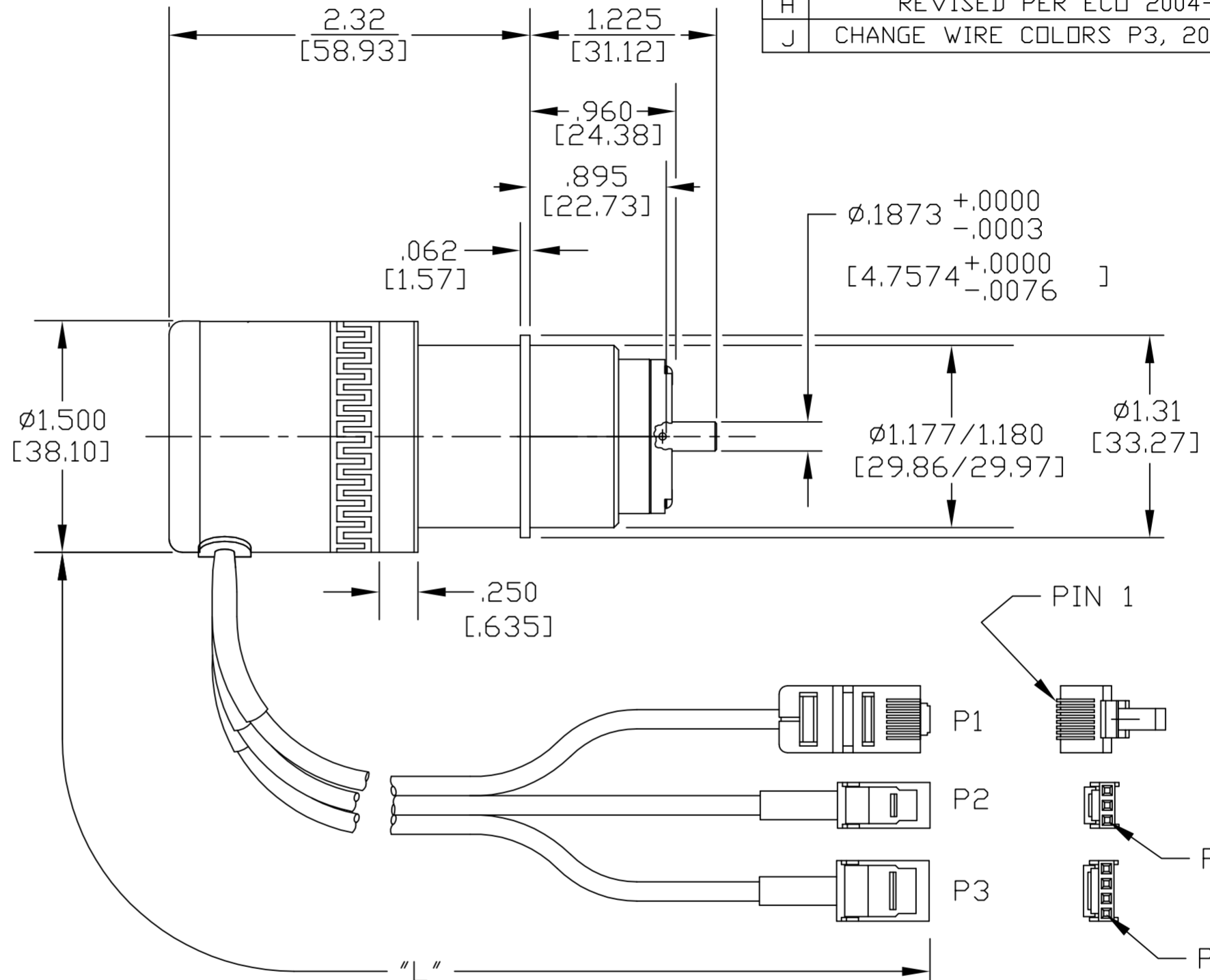
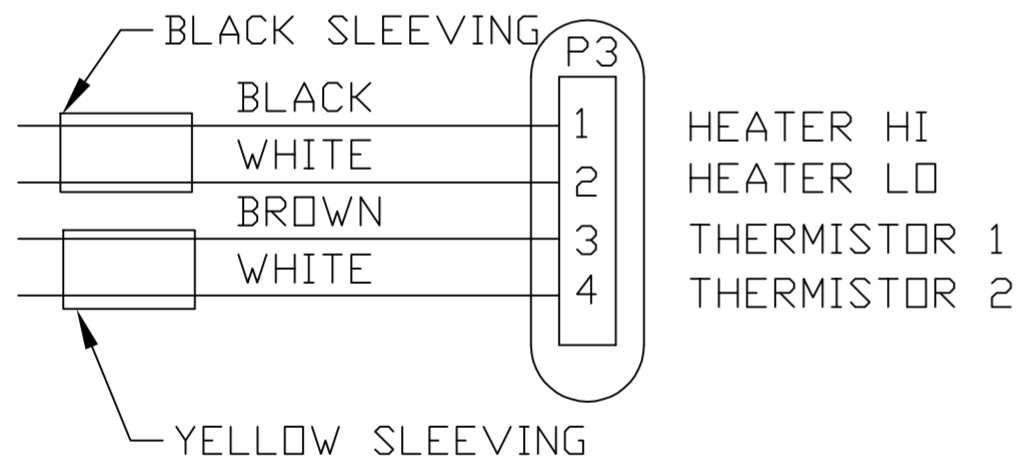
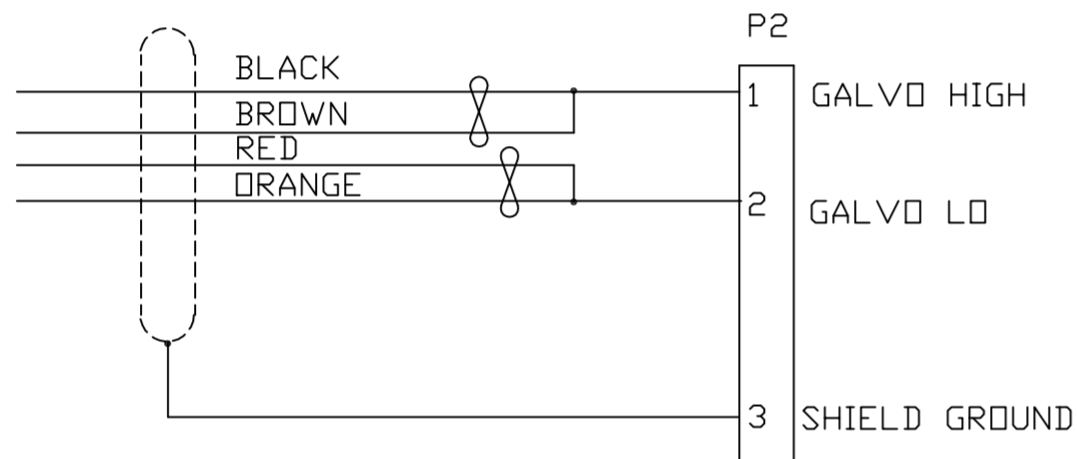
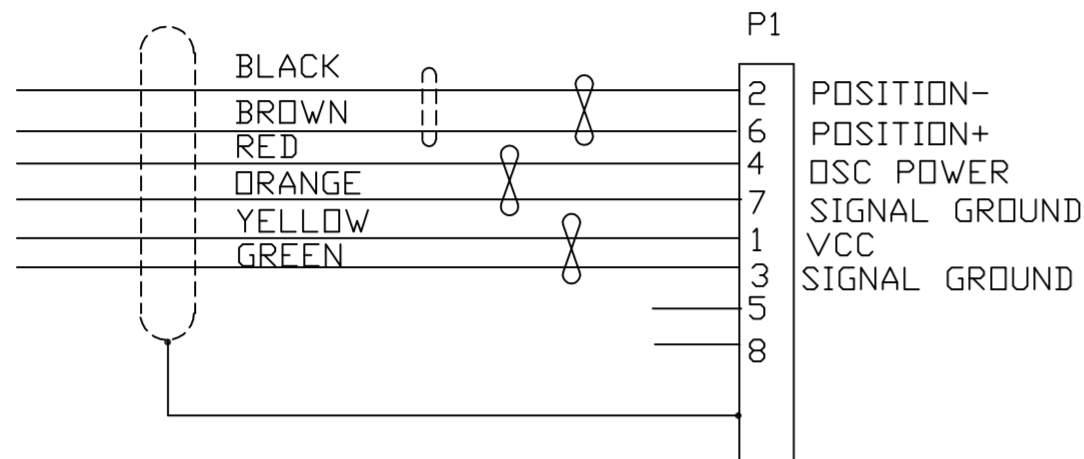
GENERAL SCANNING INC.
 OPTICAL SCANNING PRODUCTS DIVISION
 500 ARSENAL STREET, WATERTOWN, MA. 02472

OUTLINE, M2

SIZE	CAGE CODE	DWG NO.	REV
B	57246	3CD-17925	B
SCALE	1/1		SHEET 1 OF 1

NOTES:
1.

REVISIONS				
ZONE	REV	DESCRIPTION	DATE	APPROVED
-	G	REVISED, REMOVE 000-3008602 PER ECD 2003-068	6/16/03	Amit. S
	H	REVISED PER ECD 2004-010	1-19-04	E.U
	J	CHANGE WIRE COLORS P3, 2005-277	5/12/05	DAD



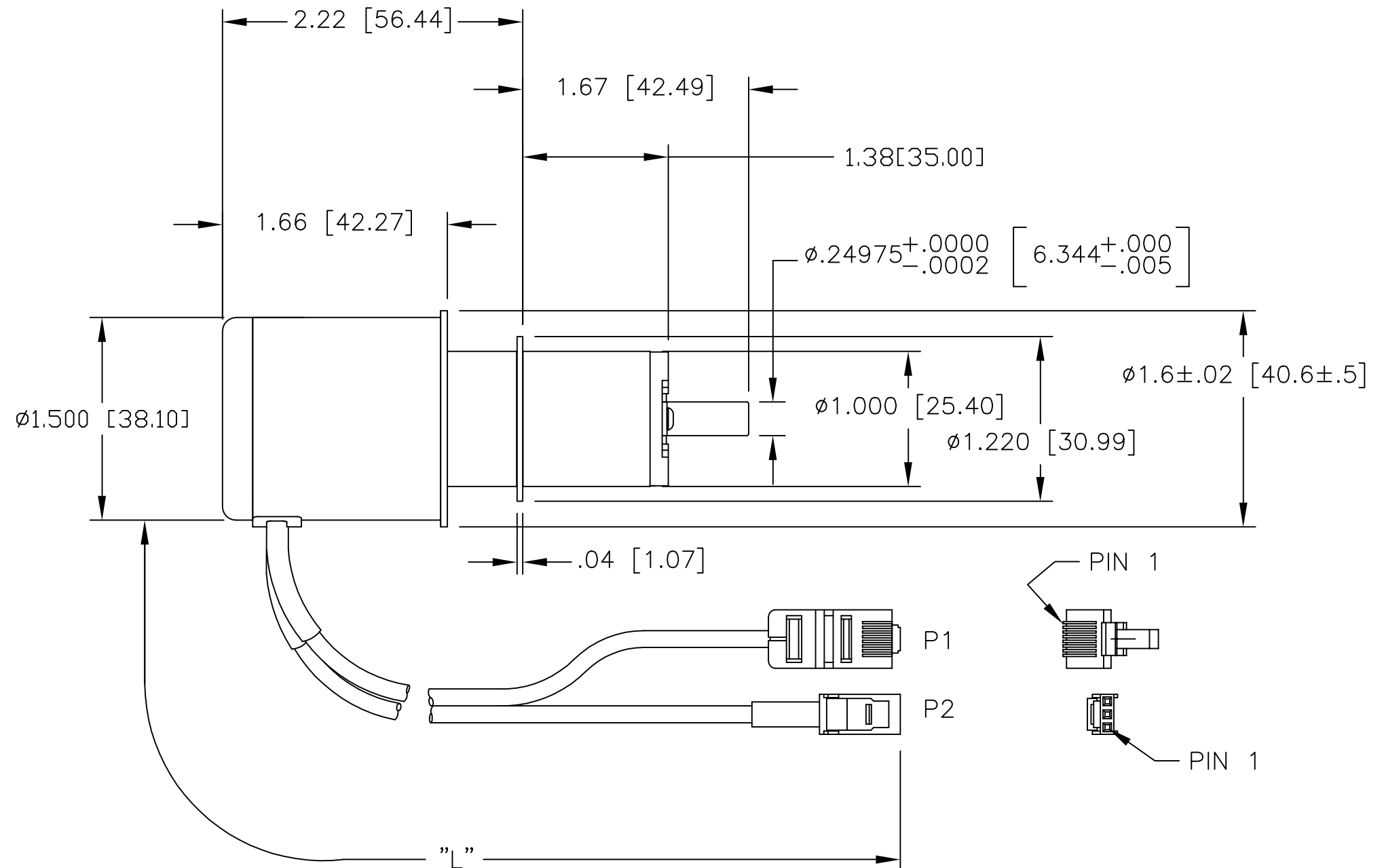
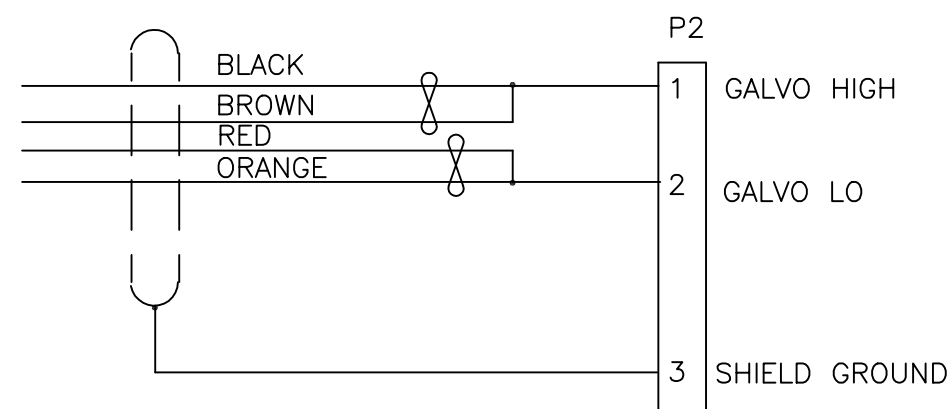
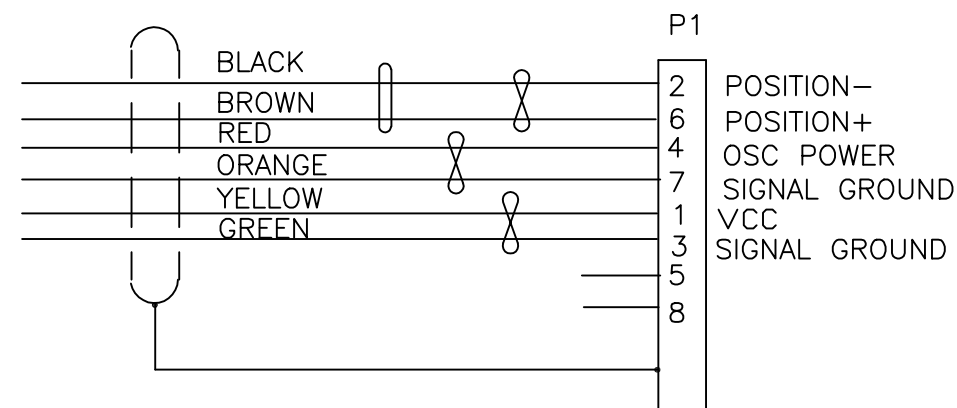
GSI PART NO.	"L" (INCHES)
000-3014007	11.0 MIN
000-3014008	38.0 MIN
000-3014009	77.0 MIN
000-3008563	30.0 MIN
000-3008567	47.0 MIN
000-3008610	17.0 MIN

UNLESS OTHERWISE SPECIFIED:
DIMENSIONS ARE IN INCHES
TOLERANCES ARE:
.X ± .1
.XX ± .01
.XXX ± .005
.XXXX ± .0010
ANGLES ± .5°
DO NOT SCALE DRAWING
REMOVE ALL BURRS AND BREAK
SHARP EDGES
ALL MACH SURFACES ✓

INTERPRET DRAWING IN ACCORDANCE WITH DOD-STD-100, ANSI Y14.5M		UNLESS OTHERWISE SPECIFIED, DIMENSIONS ARE IN MILLIMETERS. TOLERANCES ARE: X ± 2.5 .X ± .25 .XX ± .13 .XXX ± .025 ANGLES ± .5° DO NOT SCALE DRAWING REMOVE ALL BURRS AND BREAK SHARP EDGES ALL MACHINED SURFACES 1.6 MICRON RA				Gsi Lumonics COMPONENT PRODUCTS GROUP	
PROPERTY OF GSI LUMONICS THIS DOCUMENT IS AND SHALL REMAIN AN UNPUBLISHED WORK OF GSI LUMONICS PROTECTED BY COPYRIGHT, IS LOANED FOR LIMITED PURPOSES ONLY, REMAINS THE PROPERTY OF GSI LUMONICS, AND IS TO BE RETURNED UPON REQUEST. NEITHER IT NOR ANY OF THE INFORMATION IT CONTAINS WILL BE REPRODUCED, USED, OR DISCLOSED TO ANYONE NOT HAVING A NEED-TO-KNOW CONSISTENT WITH THE PURPOSE OF THE LOAN, WITHOUT WRITTEN CONSENT OF GSI LUMONICS.		DRAWN 10/7/96 DESIGN ENG P. O'DOY 10/7/96 MFG ENG D. BROWN 1/24/97		OUTLINE, M2ST		SIZE B CAGE CODE 57246 DWG NO. 3CD-17995 REV J	
CAD FILE NAME: 17995		SCALE N/A		SHEET 1 OF 1			

NOTES:

REVISIONS				
ZONE	REV	DESCRIPTION	DATE	APPROVED
-	SEE TABLE	REVISED PER ECO 2001-154		
-	SEE TABLE	REVISED PER ECO 2004-391	6-28-04	G.F



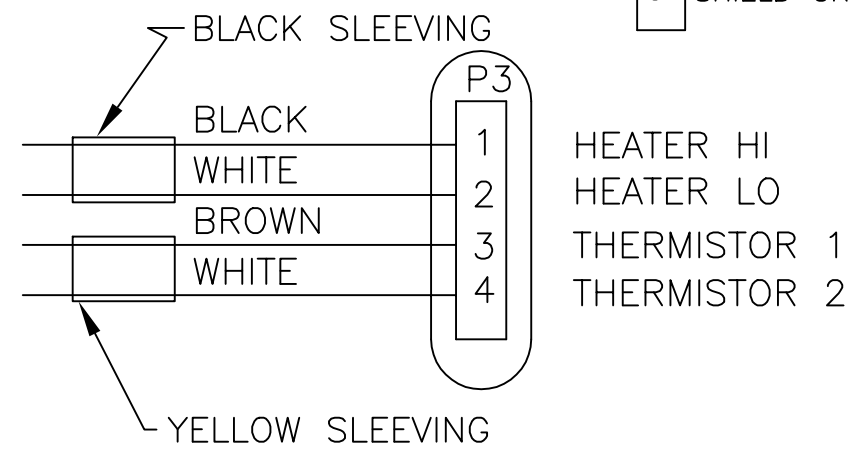
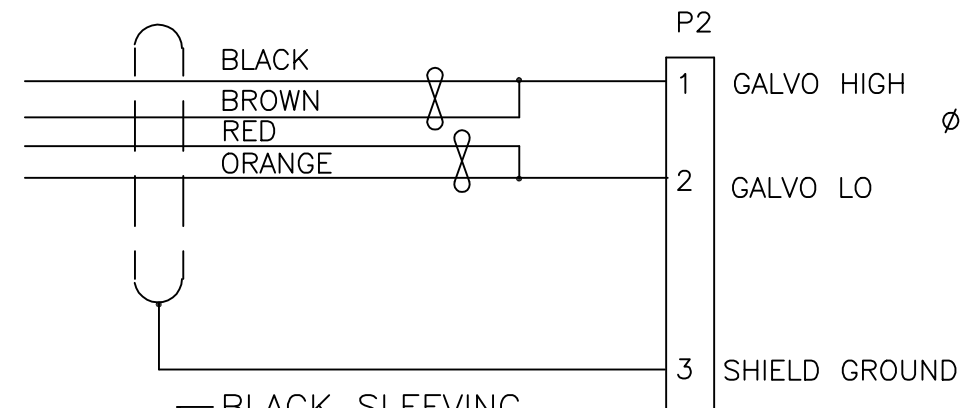
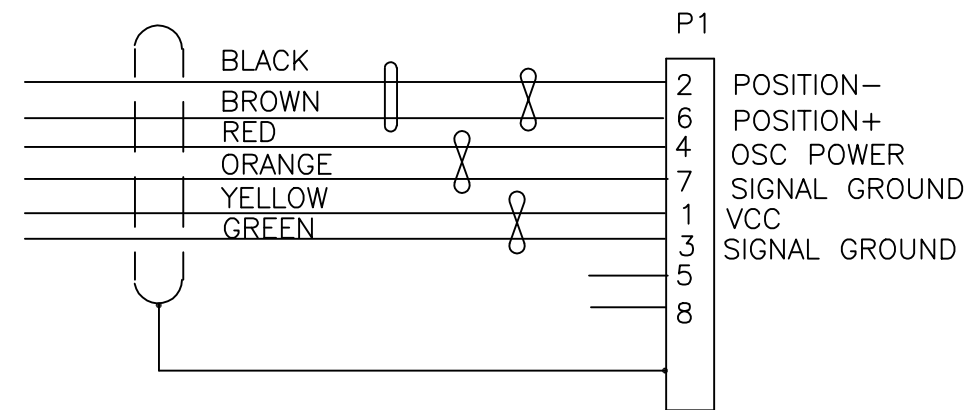
DASH	REV	"L" (INCHES)
-1	D	13.0 MIN
-2	D	40.0 MIN
-3	D	80.0 MIN
-4	B	18.0 MIN
-5	A	158.0 MIN

UNLESS OTHERWISE SPECIFIED:
DIMENSIONS ARE IN INCHES
TOLERANCES ARE:
.X ± .1
.XX ± .01
.XXX ± .005
.XXXX ± .0010
ANGLES ± .5°
DO NOT SCALE DRAWING
REMOVE ALL BURRS AND BREAK
SHARP EDGES
ALL MACH SURFACES 63

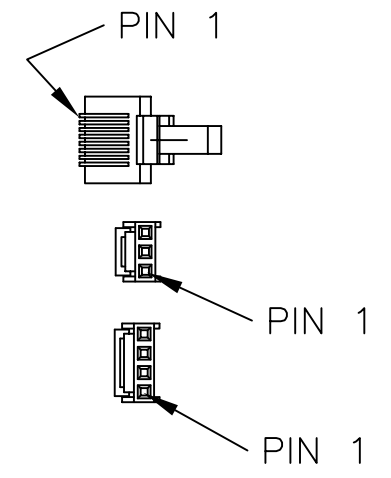
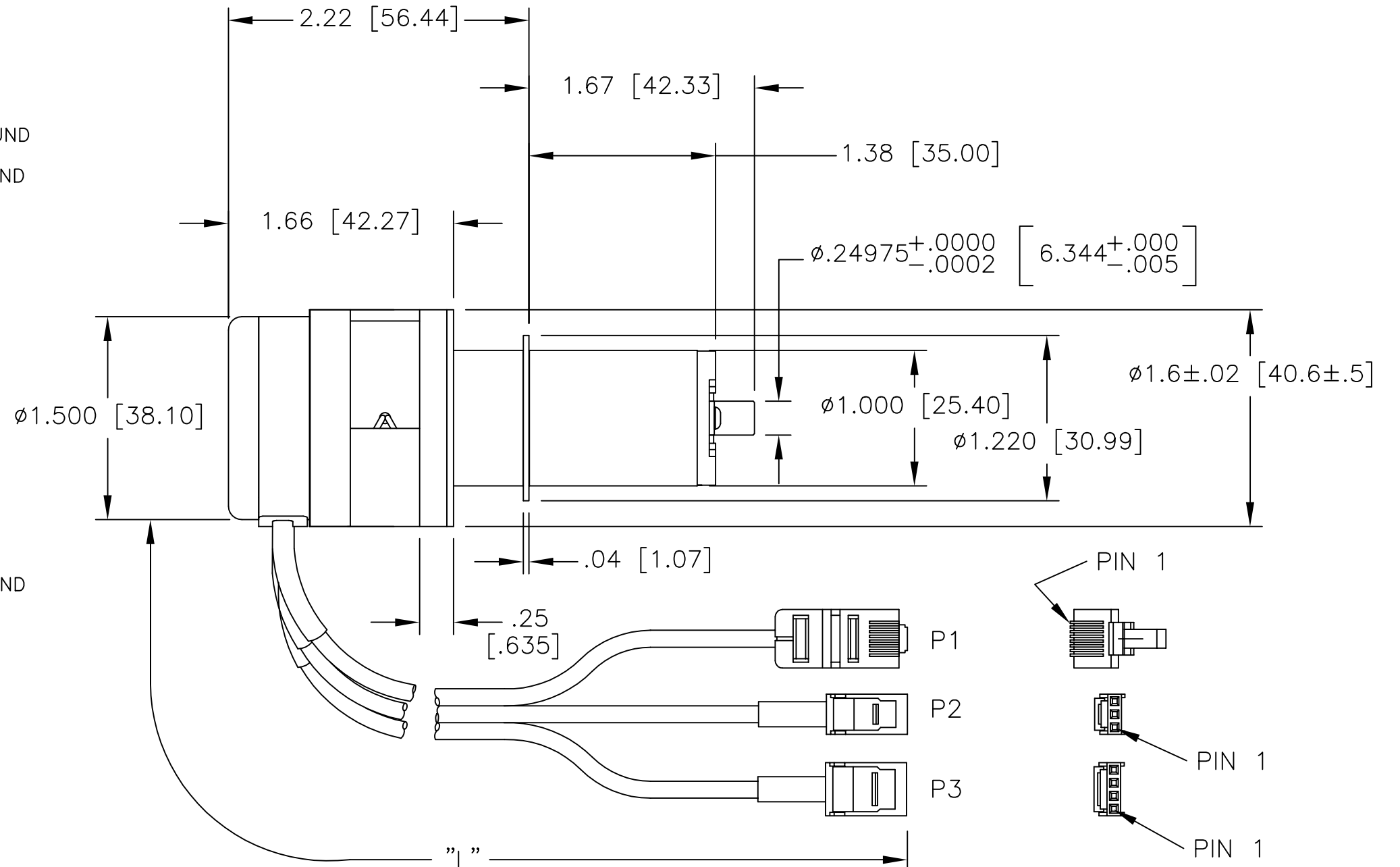
INTERPRET DRAWING IN ACCORDANCE WITH DOD-STD-100, ANSI Y14.5M PROPERTY OF GSI LUMONICS THIS DOCUMENT IS AND SHALL REMAIN AN UNPUBLISHED WORK OF GSI LUMONICS. PROTECTED BY COPYRIGHT, IS LOANED FOR LIMITED PURPOSES ONLY, REMAINS THE PROPERTY OF GSI LUMONICS, AND IS TO BE RETURNED UPON REQUEST. NEITHER IT NOR ANY OF THE INFORMATION IT CONTAINS WILL BE REPRODUCED, USED, OR DISCLOSED TO ANYONE NOT HAVING A NEED-TO-KNOW CONSISTENT WITH THE PURPOSE OF THE LOAN, WITHOUT WRITTEN CONSENT OF GSI LUMONICS.	UNLESS OTHERWISE SPECIFIED, DIMENSIONS ARE IN MILLIMETERS. TOLERANCES ARE: X ± 2.5 .X ± .25 .XX ± .13 .XXX ± .025 ANGLES ± .5° DO NOT SCALE DRAWING REMOVE ALL BURRS AND BREAK SHARP EDGES ALL MACHINED SURFACES 1.6 MICRON Ra THIRD ANGLE PROJECTION	gsi Lumonics COMPONENT PRODUCTS GROUP	
		OUTLINE, SAX READY M3S	
DRAWN: 12-7-98 DESIGN ENG: D.BROWN 6-25-97 MFG ENG: D.BROWN 6-25-97	SIZE: C SCALE: 1/1	CAGE CODE: 57246 DWG NO.: 3CD-18506	REV: SEE TABLE SHEET: 1 OF 1

NOTES:

REVISIONS				
ZONE	REV	DESCRIPTION	DATE	APPROVED
-	F	REVISE PER ECO-2004-808		
-	G	CHANGE WIRE COLORS ON P3, 2005-277	5/12/05	DAO



DASH	"L" (INCHES)
1	12.0 MIN
2	38.0 MIN
3	77.0 MIN
4	19.0 MIN
5	156.0 MIN



INTERPRET DRAWING IN ACCORDANCE WITH DOD-STD-100, ANSI Y14.5M

PROPERTY OF GSI LUMONICS
THIS DOCUMENT IS AND SHALL REMAIN AN UNPUBLISHED WORK OF GSI LUMONICS PROTECTED BY COPYRIGHT, IS LOANED FOR LIMITED PURPOSES ONLY, REMAINS THE PROPERTY OF GSI LUMONICS, AND IS TO BE RETURNED UPON REQUEST. NEITHER IT NOR ANY OF THE INFORMATION IT CONTAINS WILL BE REPRODUCED, USED, OR DISCLOSED TO ANYONE NOT HAVING A NEED-TO-KNOW CONSISTENT WITH THE PURPOSE OF THE LOAN, WITHOUT WRITTEN CONSENT OF GSI LUMONICS.

UNLESS OTHERWISE SPECIFIED: DIMENSIONS ARE IN INCHES TOLERANCES ARE:
.X ± .1
.XX ± .01
.XXX ± .005
.XXXX ± .0010
ANGLES ± .5°

DO NOT SCALE DRAWING
REMOVE ALL BURRS AND BREAK SHARP EDGES
ALL MACH SURFACES 63/

THIRD ANGLE PROJECTION

GSI Lumonics COMPONENT PRODUCTS GROUP

OUTLINE, SAX READY M3ST

DRAWN J. MARTIN DESIGN ENG	12/7/98	SIZE B	CAGE CODE 57246	DWG NO. 3CD-18505	REV G
D. BROWN MFG ENG	6/25/97	SCALE N/A			SHEET 1 OF 1
PEZ	6/30/97				

CAD FILE NAME: 18505-OE