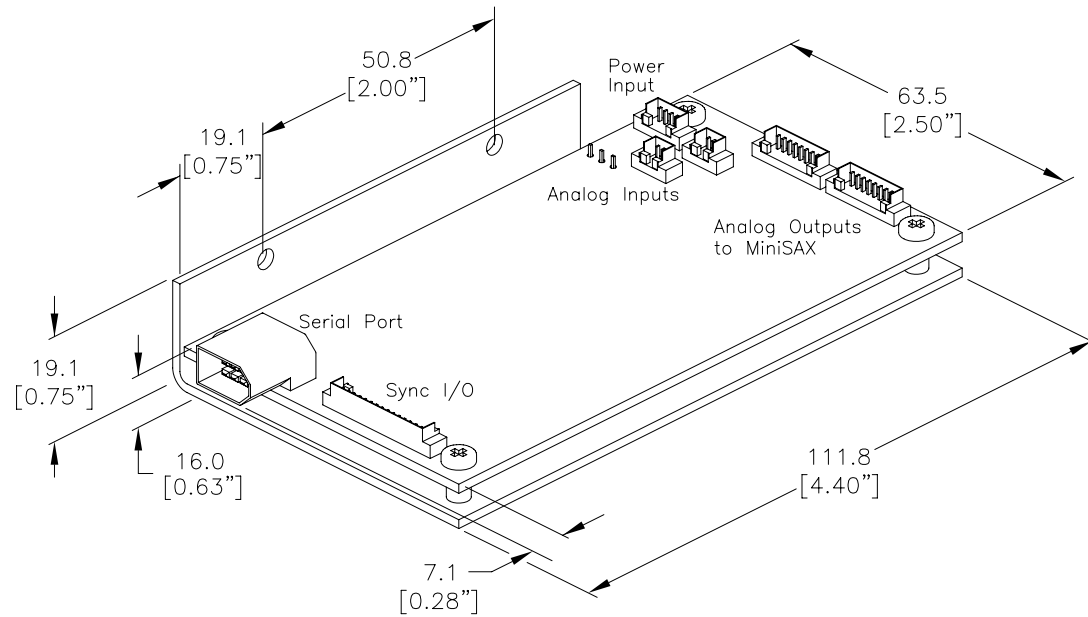


| REVISIONS | | | | |
|-----------|-----|---------------------------|------|----------|
| ZONE | REV | DESCRIPTION | DATE | APPROVED |
| - | A | RELEASED PER ECO-2001-029 | | |



| | | | | | |
|--|--|---|--------------------|--|----------|
| INTERPRET DRAWING IN ACCORDANCE WITH DOD-STD-100, ANSI Y14.5M | | UNLESS OTHERWISE SPECIFIED: DIMENSIONS ARE IN INCHES TOLERANCES ARE: .X ± .1 .XX ± .01 .XXX ± .005 .XXXX ± .0010 ANGLES ± .5° DO NOT SCALE DRAWING REMOVE ALL BURRS AND BREAK SHARP EDGES ALL MACH SURFACES $\sqrt{63}$ | | GSI Lumonics 4E Crosby Drive, Bedford, Massachusetts, USA 01730 | |
| PROPERTY OF GSI LUMONICS THIS DOCUMENT IS AND SHALL REMAIN AN UNPUBLISHED WORK OF GSI LUMONICS PROTECTED BY COPYRIGHT, IS LOANED FOR LIMITED PURPOSES ONLY, REMAINS THE PROPERTY OF GSI LUMONICS, AND IS TO BE RETURNED UPON REQUEST. NEITHER IT NOR ANY OF THE INFORMATION IT CONTAINS WILL BE REPRODUCED, USED, OR DISCLOSED TO ANYONE NOT HAVING A NEED-TO-KNOW CONSISTENT WITH THE PURPOSE OF THE LOAN, WITHOUT WRITTEN CONSENT OF GSI LUMONICS. | | THIRDS ANGLE PROJECTION | | SC2000 OUTLINE | |
| DRAWN B.P. STONE DESIGN ENG | | 2/14/01 | | MFG ENG | |
| CAD FILE NAME: 75917-0A | | SIZE B | CAGE CODE 57246 | DWG NO. 7CD-75917 | REV A |
| SCALE 1/1 | | SHEET 1 OF 1 | | | |