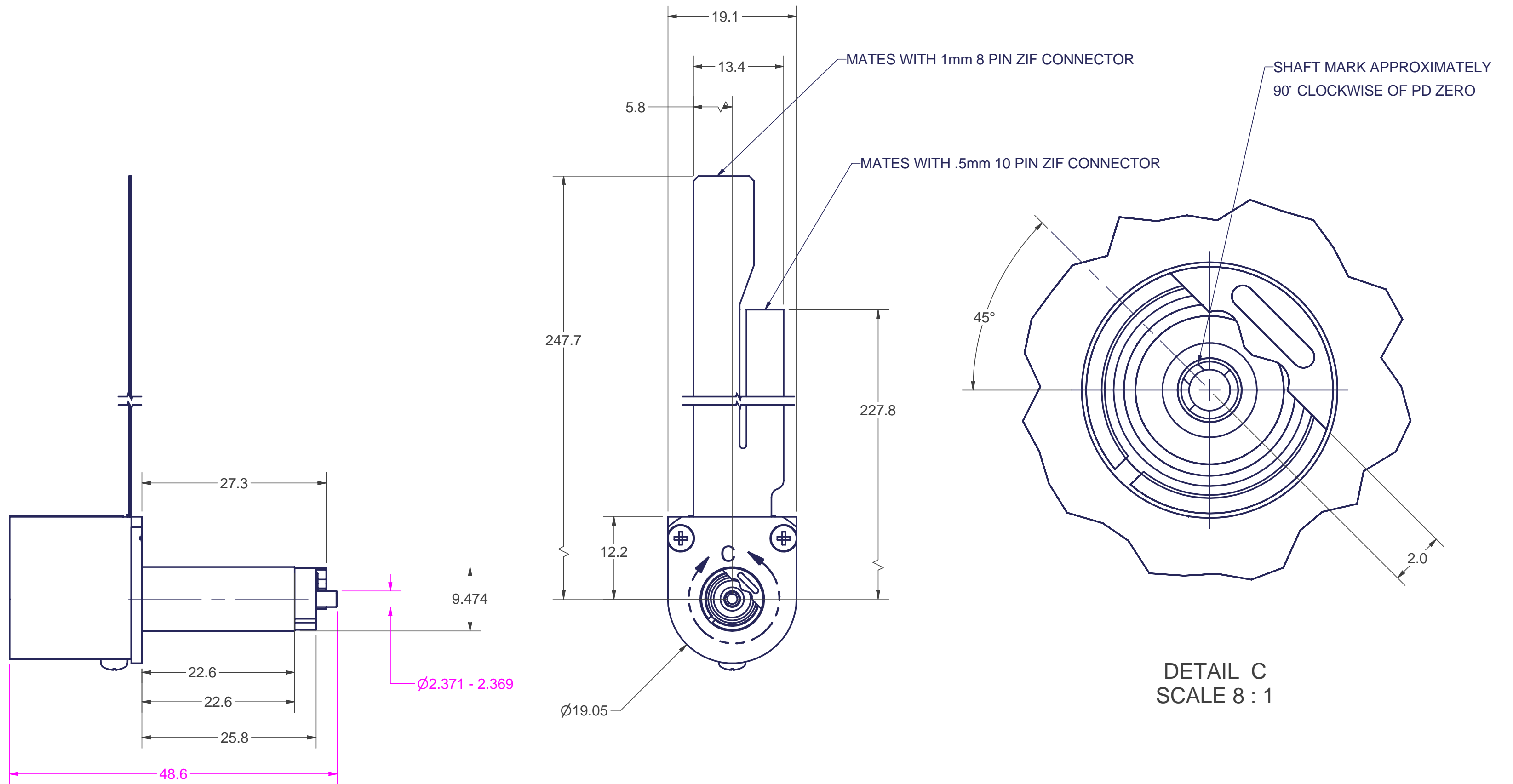


REVISIONS				
ZONE	REV	DESCRIPTION	DATE	APPROVED
	1	RELEASE PER ECO #2002-465	1/2/03	DAO

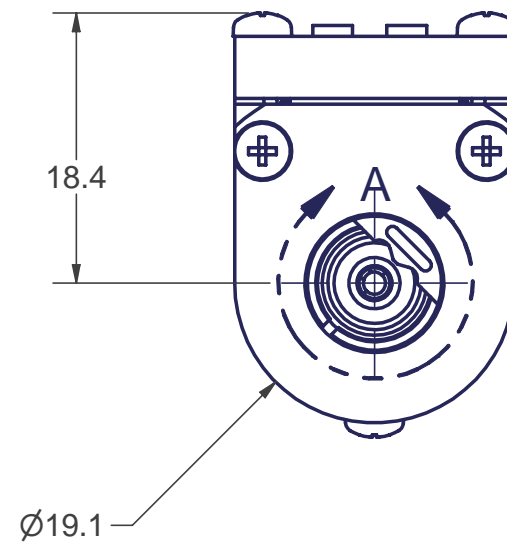
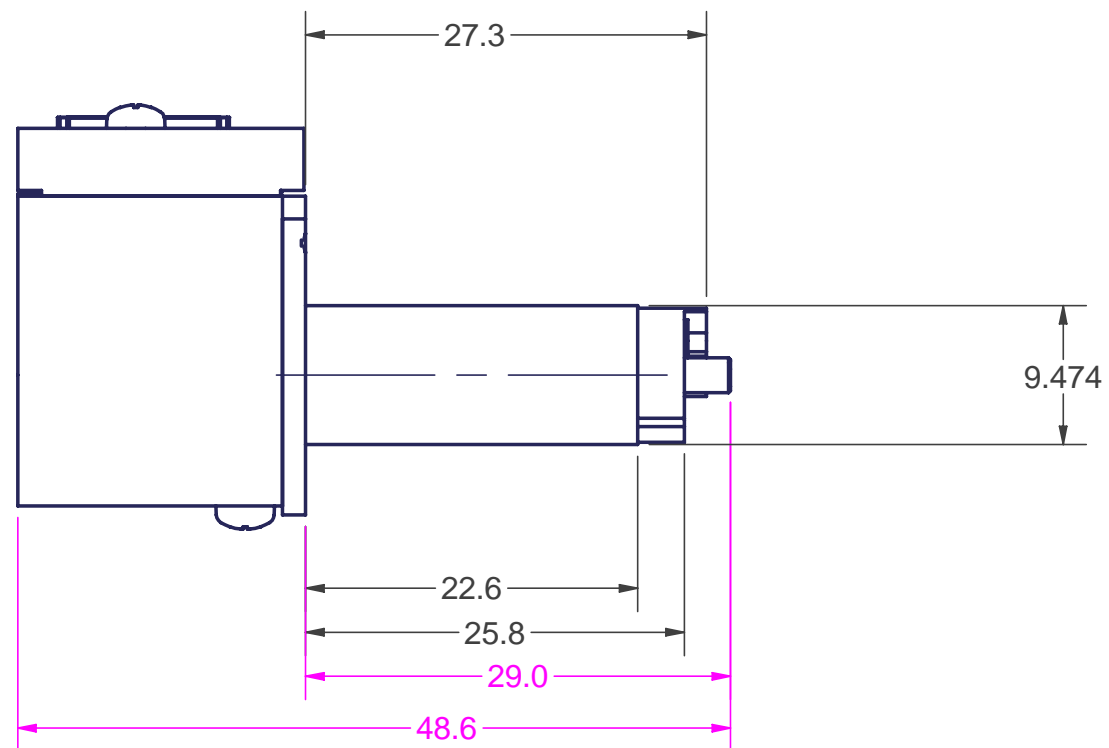
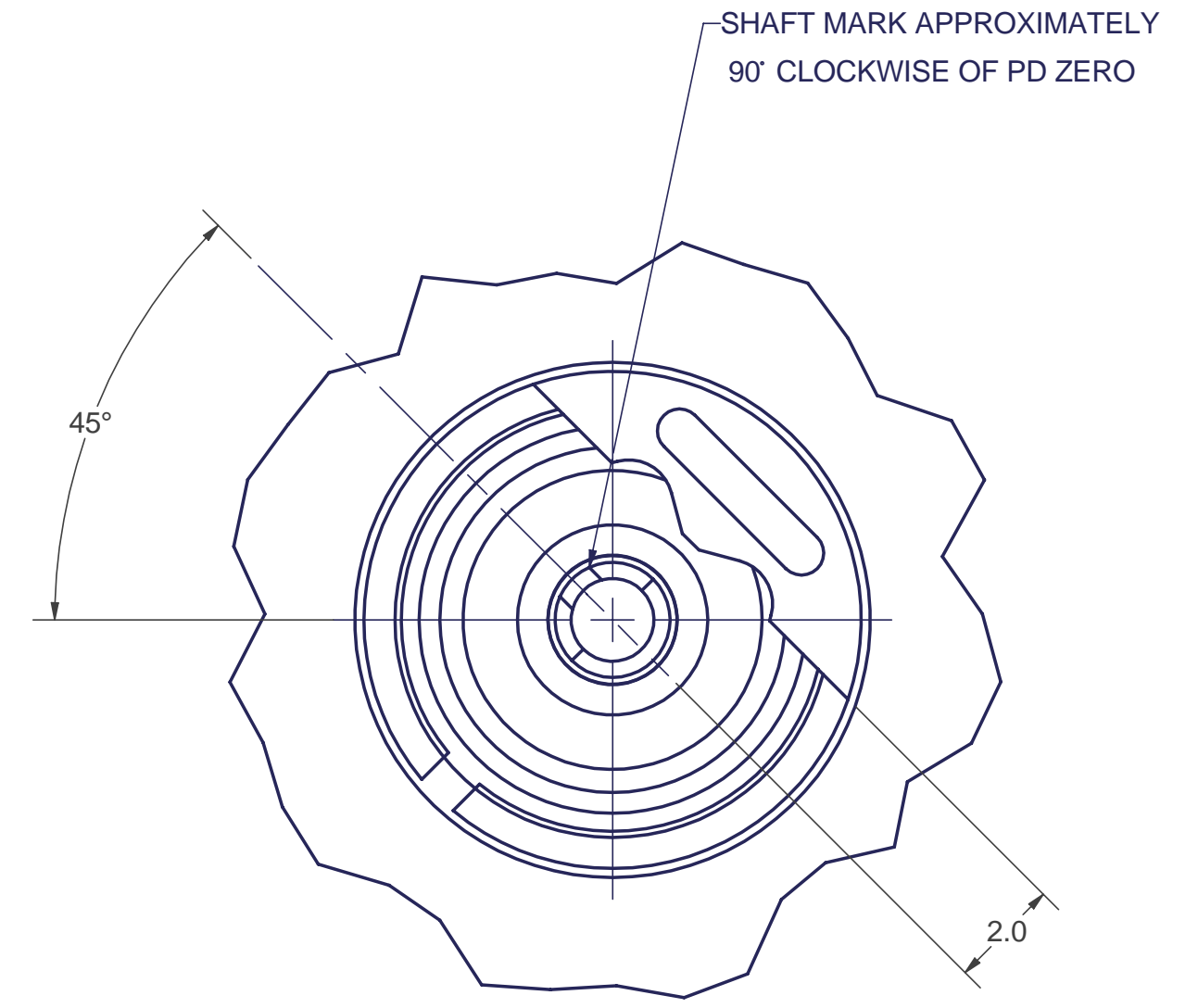
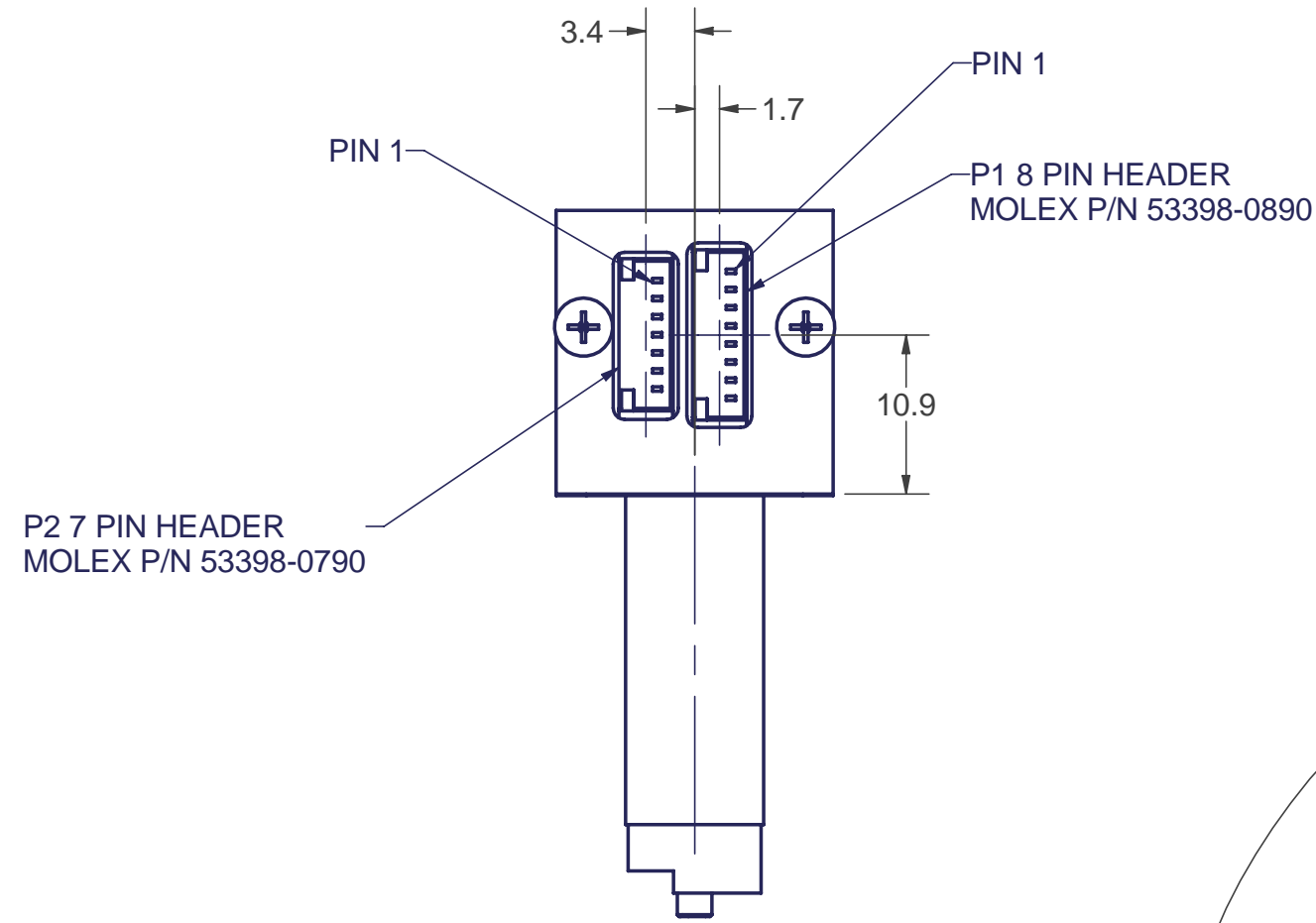


DETAIL C  
SCALE 8 : 1

INTERPRET DRAWING IN ACCORDANCE WITH DOD-STD-100, ANSI Y14-5M  PROPERTY OF GSI LUMONICS THIS DOCUMENT IS AND SHALL REMAIN AN UNPUBLISHED WORK OF GSI LUMONICS PROTECTED BY COPYRIGHT, IS LOANED FOR LIMITED PURPOSES ONLY, REMAINS THE PROPERTY OF GSI LUMONICS, AND IS TO BE RETURNED UPON REQUEST. NEITHER IT NOR ANY OF THE INFORMATION IT CONTAINS WILL BE REPRODUCED, USED, OR DISCLOSED TO ANYONE NOT HAVING A NEED-TO-KNOW CONSISTENT WITH THE PURPOSE OF THE LOAN, WITHOUT WRITTEN CONSENT OF GSI LUMONICS.		UNLESS OTHERWISE SPECIFIED: DIMENSIONS ARE IN MILLIMETERS TOLERANCES ARE: X ± 2.5 .X ± .25 .XX ± .13 .XXX ± .025 ANGLES ± .5 DO NOT SCALE DRAWING REMOVE ALL BURRS AND BREAK SHARP EDGES ALL MACHINED SURFACES 1.6 MICRONS RA	<b>Gsi Lu mon ics</b> COMPONENT PRODUCTS GROUP	
DRAWN BY J. MARTIN DESIGN ENG P. OTAVSKY MFG ENG D. OPPENHEIM		11/25/2002 11/25/2002 1/2/2003	<b>OUTLINE AND INSTALLATION VM500T</b>	
CAD FILE NAME		SIZE <b>C</b>	CAGE CODE <b>57246</b>	DRAWING NUMBER <b>7CD-76926</b>
THIRD ANGLE PROJECTION		SCALE 2/1	REVISION <b>A</b>	SHEET 1 OF 1

REVISIONS				
ZONE	REV	DESCRIPTION	DATE	APPROVED
	A	RELEASE PER ECO #2002-465	1/2/03	DAO

P2		P1	
1	SHIELD	1	CHASSIS GND
2	MOTOR+	2	TEMP-
3	MOTOR+	3	TEMP+
4	MOTOR-	4	OSC POWER
5	MOTOR-	5	AGC
6	HEATER+	6	REF
7	HEATER-	7	POSITION-
		8	POSITION+



INTERPRET DRAWING IN ACCORDANCE WITH DOD-STD-100, ANSI Y14-5M PROPERTY OF GSI LUMONICS THIS DOCUMENT IS AND SHALL REMAIN AN UNPUBLISHED WORK OF GSI LUMONICS PROTECTED BY COPYRIGHT, IS LOANED FOR LIMITED PURPOSES ONLY, REMAINS THE PROPERTY OF GSI LUMONICS, AND IS TO BE RETURNED UPON REQUEST. NEITHER IT NOR ANY OF THE INFORMATION IT CONTAINS WILL BE REPRODUCED, USED, OR DISCLOSED TO ANYONE NOT HAVING A NEED-TO-KNOW CONSISTENT WITH THE PURPOSE OF THE LOAN, WITHOUT WRITTEN CONSENT OF GSI LUMONICS.		UNLESS OTHERWISE SPECIFIED: DIMENSIONS ARE IN MILLIMETERS TOLERANCES ARE: X ± 2.5 .X ± .25 .XX ± .13 .XXX ± .025 ANGLES ± .5 DO NOT SCALE DRAWING REMOVE ALL BURRS AND BREAK SHARP EDGES ALL MACHINED SURFACES 1.6 MICRONS RA	<b>Gsi Lumonics</b> COMPONENT PRODUCTS GROUP DRAWN BY J. MARTIN 11/25/2002 DESIGN ENG P. OTAVSKY 11/25/2002 MFG ENG D. OPPENHEIM 1/2/2003		<b>OUTLINE AND INSTALLATION VM500C</b>	
THIRD ANGLE PROJECTION 	SIZE C SCALE 2/1	CAGE CODE 57246	DRAWING NUMBER 7CD-76924	REVISION A	SHEET 1 OF 1	

REVISIONS				
ZONE	REV	DESCRIPTION	DATE	APPROVED
	A	RELEASED PER ECO #2002-465	1/2/03	DAO

P3 IN MODELS  
118,119 AND 120 ONLY

- 1 HEATER+
- 2 HEATER-
- 3 TEMP+
- 4 TEMP-

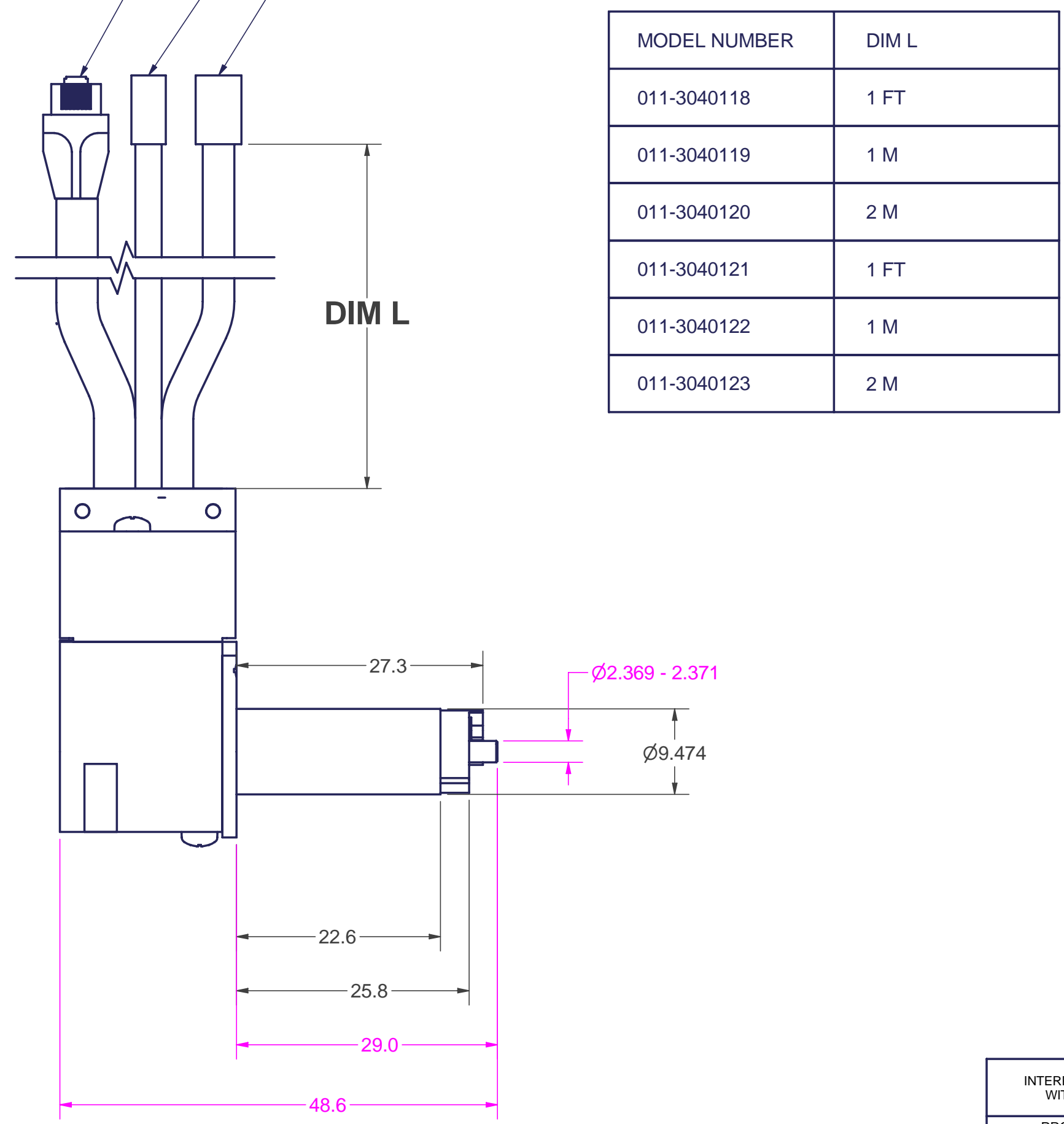
P2

- 1 GALVO HIGH
- 2 GALVO LOW
- 3 SHIELD GND

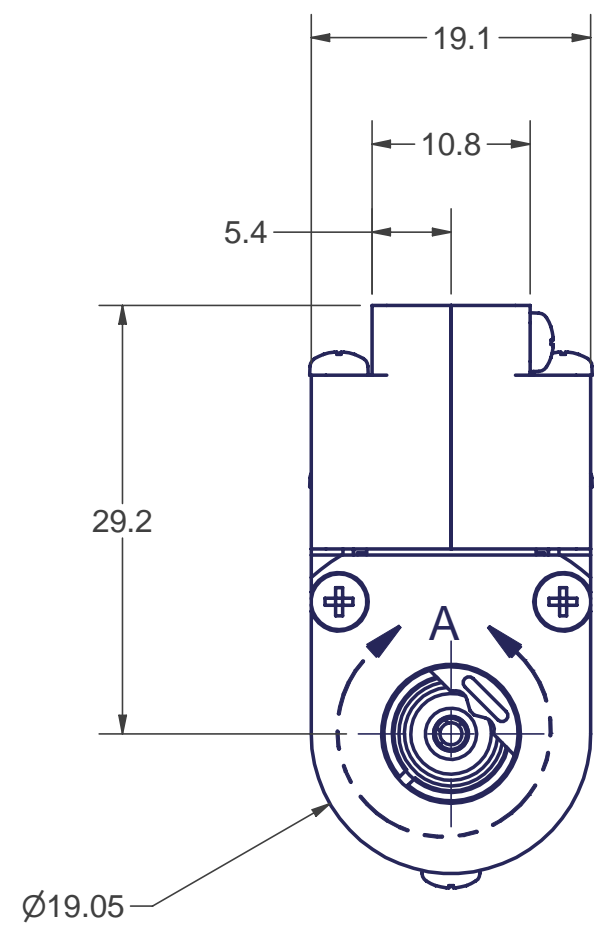
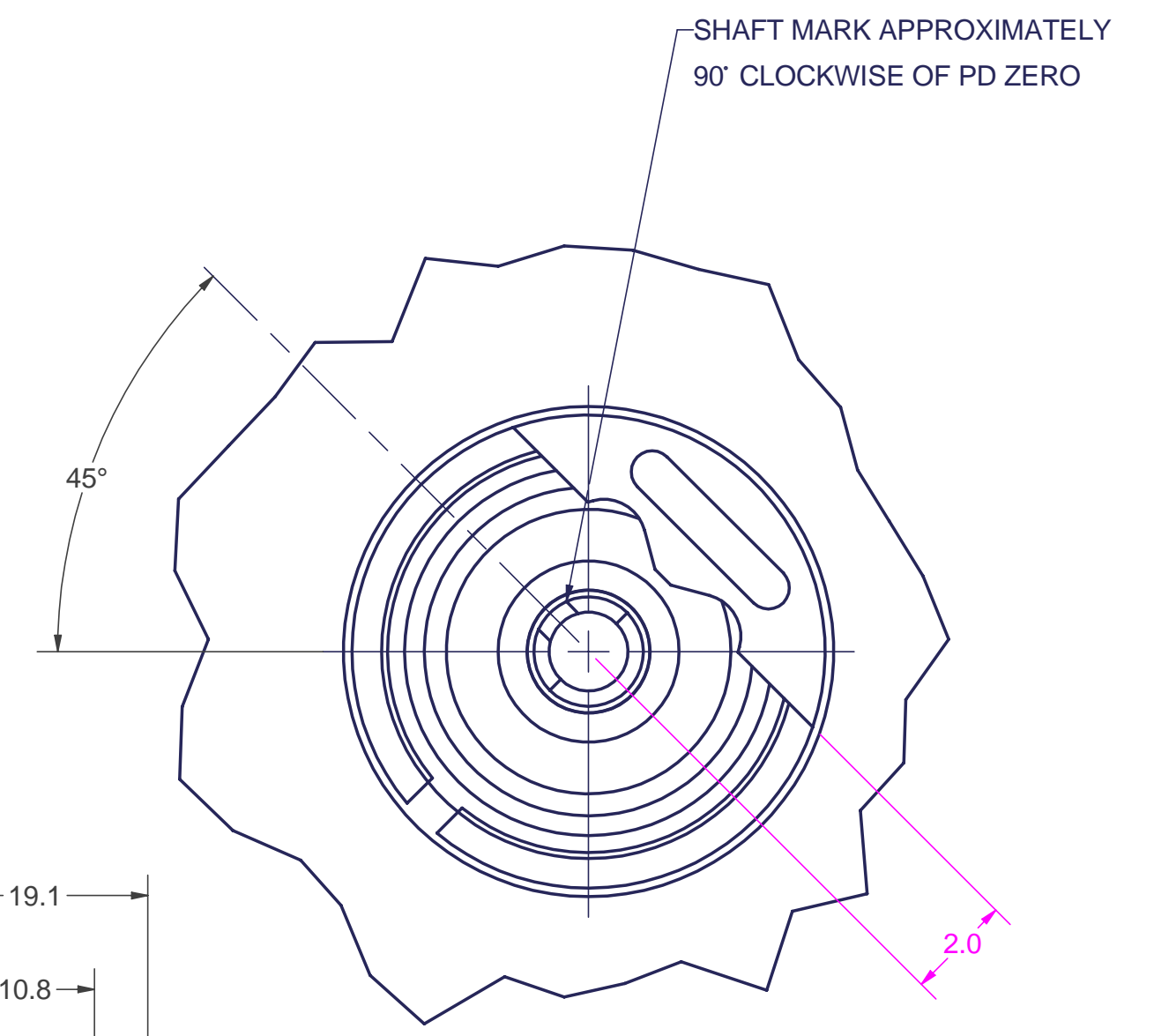
P1

- 1 +12V
- 2 POSITION-
- 3 N/C
- 4 OSC
- 5 N/C
- 6 POSITION+
- 7 SIGNAL GROUND
- 8 N/C

P1 AMP 5-569552-3  
P2 MOLEX 50-57-9403  
P3 MOLEX 50-57-9404  
ON 011-3040118,119 AND 120 ONLY



MODEL NUMBER	DIM L
011-3040118	1 FT
011-3040119	1 M
011-3040120	2 M
011-3040121	1 FT
011-3040122	1 M
011-3040123	2 M



DETAIL A  
SCALE 8 : 1

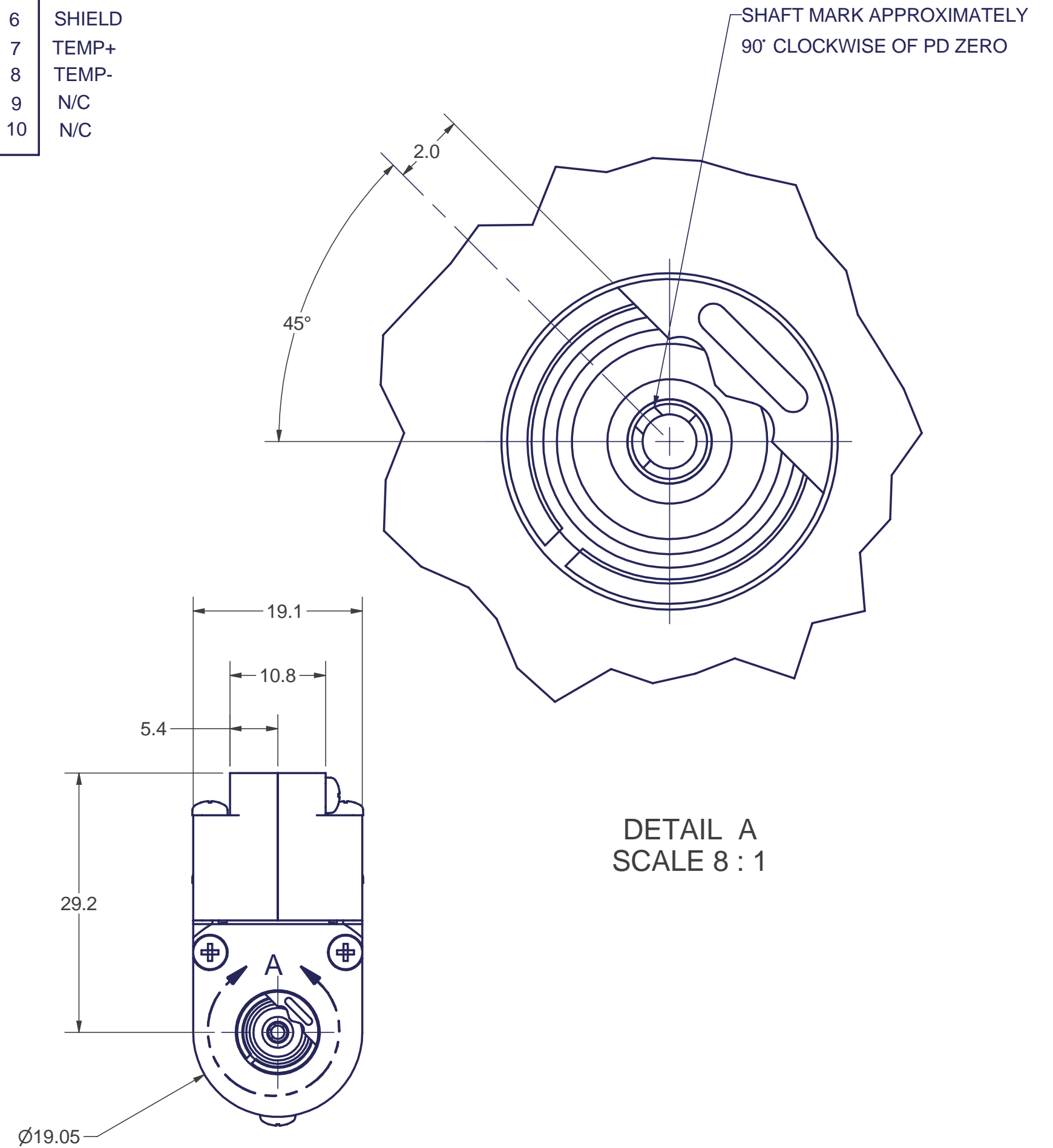
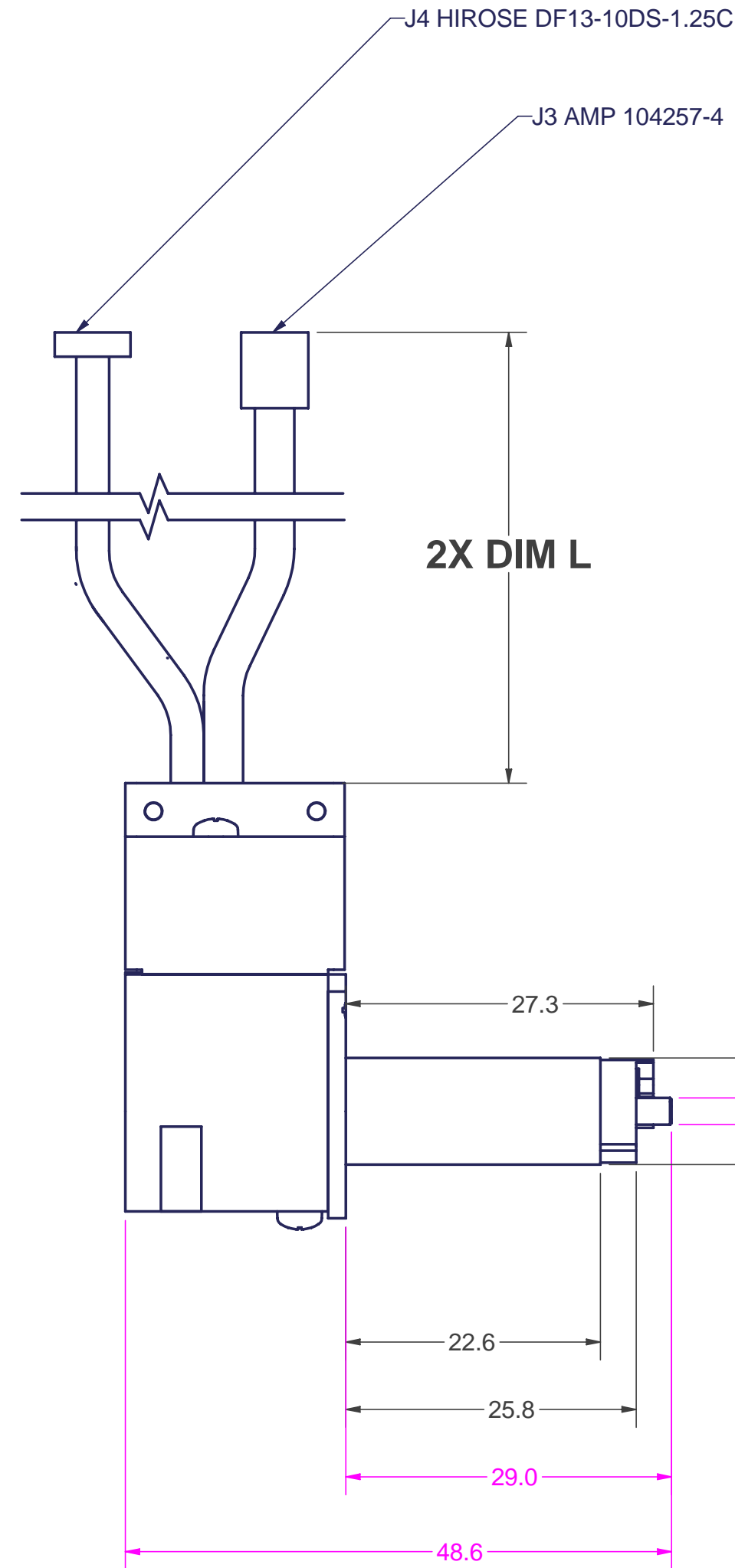
INTERPRET DRAWING IN ACCORDANCE WITH DOD-STD-100, ANSI Y14-5M  PROPERTY OF GSI LUMONICS THIS DOCUMENT IS AND SHALL REMAIN AN UNPUBLISHED WORK OF GSI LUMONICS PROTECTED BY COPYRIGHT, IS LOANED FOR LIMITED PURPOSES ONLY, REMAINS THE PROPERTY OF GSI LUMONICS, AND IS TO BE RETURNED UPON REQUEST. NEITHER IT NOR ANY OF THE INFORMATION IT CONTAINS WILL BE REPRODUCED, USED, OR DISCLOSED TO ANYONE NOT HAVING A NEED-TO-KNOW CONSISTENT WITH THE PURPOSE OF THE LOAN, WITHOUT WRITTEN CONSENT OF GSI LUMONICS.	UNLESS OTHERWISE SPECIFIED, DIMENSIONS ARE IN MILLIMETERS TOLERANCES ARE: X ± 2.5 .X ± .25 .XX ± .13 .XXX ± .025 ANGLES ± .5  DO NOT SCALE DRAWING REMOVE ALL BURRS AND BREAK SHARP EDGES ALL MACHINED SURFACES 1.6 MICRONS RA  THIRD ANGLE PROJECTION	<b>gsi lumonics</b> COMPONENT PRODUCTS GROUP			
		DRAWN BY J. MARTIN 11/25/2002 DESIGN ENG P. OTAVSKY 11/25/2002 MFG ENG D. OPPENHEIM 1/2/2003	<b>OUTLINE AND INSTALLATION VM500S TO SAX WITH AND W/O HEATER</b>		
CAD FILE NAME		SIZE <b>C</b>	CAGE CODE <b>57246</b>	DRAWING NUMBER <b>7CD-76921</b>	REVISION <b>A</b>
		SCALE 2/1	SHEET 1 OF 1		

REVISIONS				
ZONE	REV	DESCRIPTION	DATE	APPROVED
	A	RELEASED PER ECO #2002-465	1/2/03	DAO

- J4
- |   |         |
|---|---------|
| 1 | SHIELD  |
| 2 | HEATER- |
| 3 | HEATER+ |
| 4 | MOTOR-  |
| 5 | MOTOR+  |

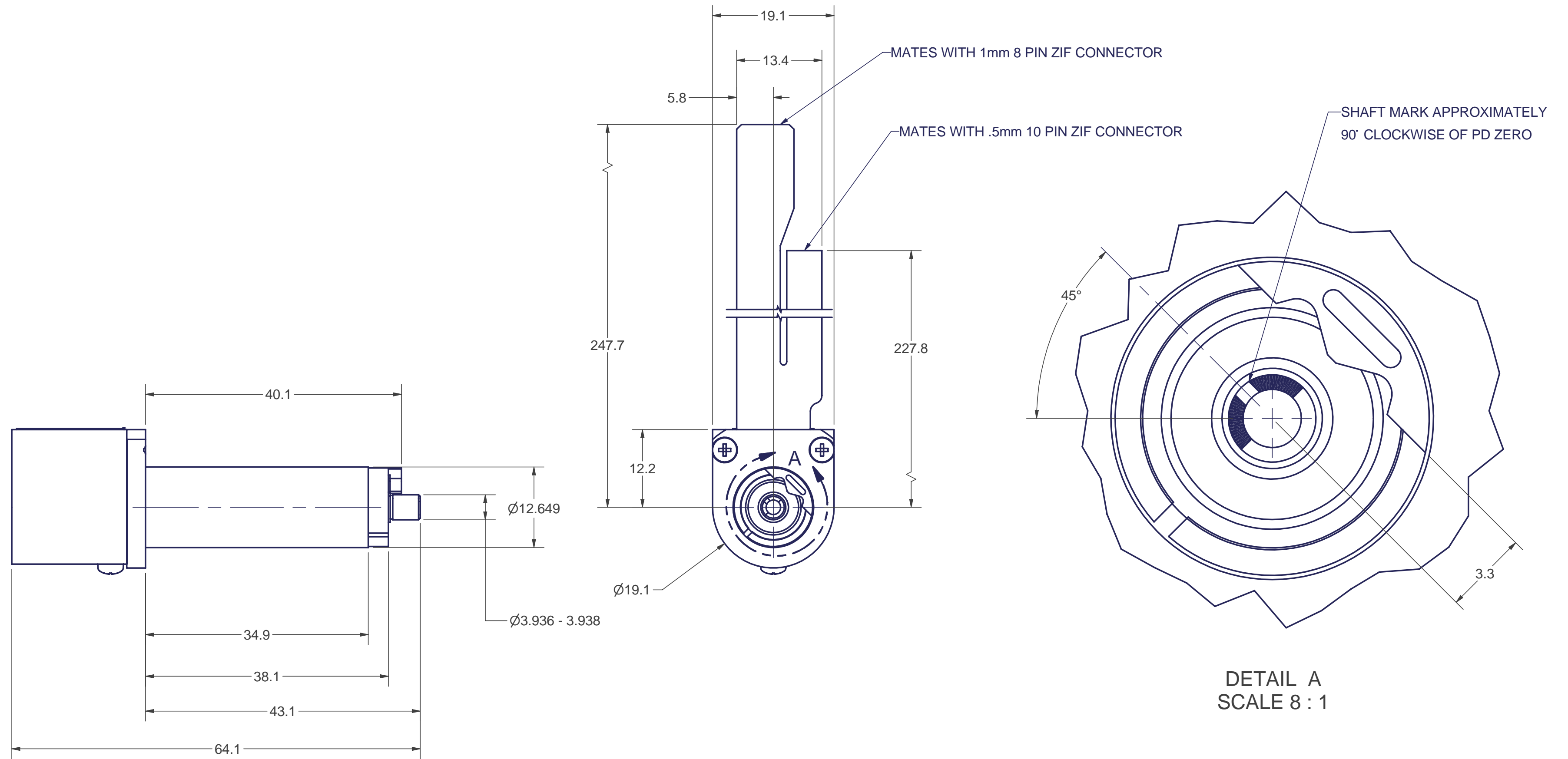
- P1
- |    |           |
|----|-----------|
| 1  | POSITION+ |
| 2  | POSITION- |
| 3  | REF       |
| 4  | AGC       |
| 5  | OSC POWER |
| 6  | SHIELD    |
| 7  | TEMP+     |
| 8  | TEMP-     |
| 9  | N/C       |
| 10 | N/C       |

MODEL NUMBER	DIM L
001-3040124	1 FT
011-3040125	1 M
011-3040126	2 M
011-3040127	650mm
011-3040128	3M



INTERPRET DRAWING IN ACCORDANCE WITH DOD-STD-100, ANSI Y14-5M  PROPERTY OF GSI LUMONICS THIS DOCUMENT IS AND SHALL REMAIN AN UNPUBLISHED WORK OF GSI LUMONICS PROTECTED BY COPYRIGHT, IS LOANED FOR LIMITED PURPOSES ONLY, REMAINS THE PROPERTY OF GSI LUMONICS, AND IS TO BE RETURNED UPON REQUEST. NEITHER IT NOR ANY OF THE INFORMATION IT CONTAINS WILL BE REPRODUCED, USED, OR DISCLOSED TO ANYONE NOT HAVING A NEED-TO-KNOW CONSISTENT WITH THE PURPOSE OF THE LOAN, WITHOUT WRITTEN CONSENT OF GSI LUMONICS.	UNLESS OTHERWISE SPECIFIED, DIMENSIONS ARE IN MILLIMETERS TOLERANCES ARE: X ± 2.5 .X ± .25 .XX ± .13 .XXX ± .025 ANGLES ± .5  DO NOT SCALE DRAWING REMOVE ALL BURRS AND BREAK SHARP EDGES ALL MACHINED SURFACES 1.6 MICRONS RA  THIRD ANGLE PROJECTION	<b>gsi lumonics</b> COMPONENT PRODUCTS GROUP			
		DRAWN BY J. MARTIN 11/25/2002 DESIGN ENG P. OTAVSKY 11/25/2002 MFG ENG D. OPPENHEIM 1/2/2003	<b>OUTLINE AND INSTALLATION VM500S TO ISD</b>		
CAD FILE NAME		SIZE <b>C</b>	CAGE CODE <b>57246</b>	DRAWING NUMBER <b>7CD-76922</b>	REVISION <b>A</b>
		SCALE 2/1	SHEET 1 OF 1		

REVISIONS				
ZONE	REV	DESCRIPTION	DATE	APPROVED
	A	RELEASE PER ECO #2002-465	1/2/03	DAO

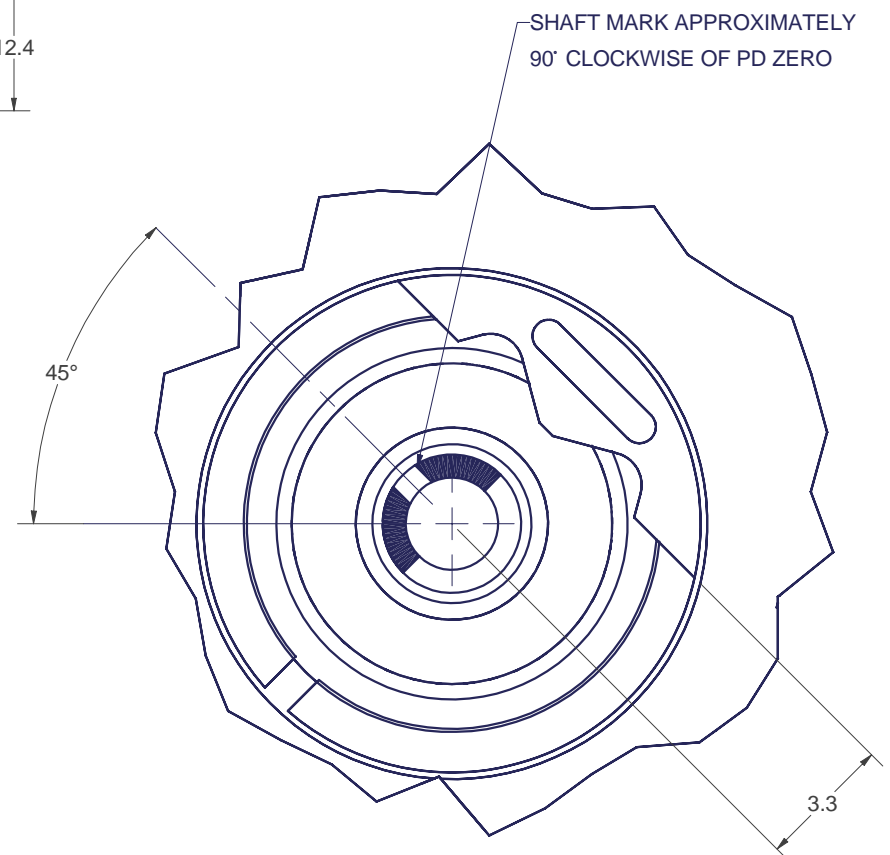
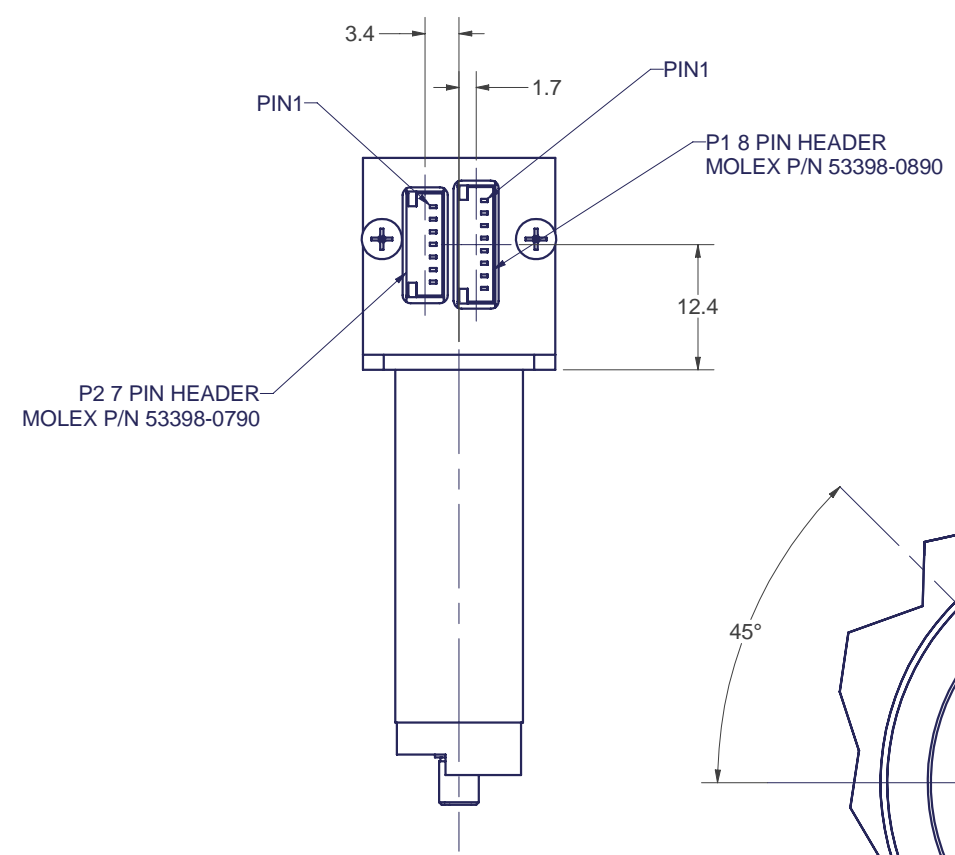


DETAIL A  
SCALE 8 : 1

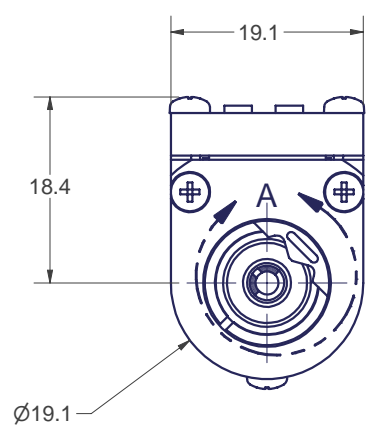
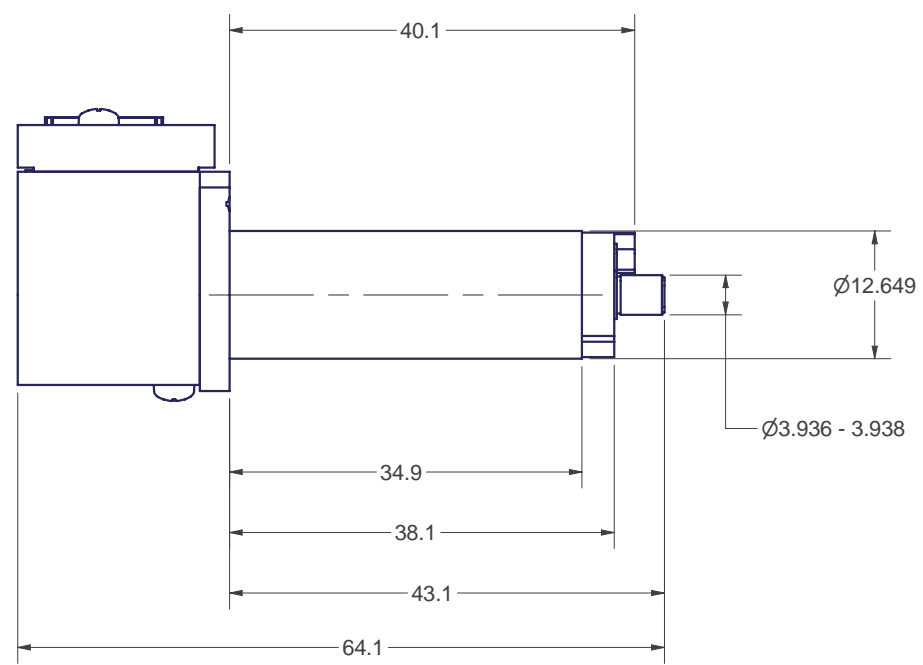
INTERPRET DRAWING IN ACCORDANCE WITH DOD-STD-100, ANSI Y14-5M		UNLESS OTHERWISE SPECIFIED, DIMENSIONS ARE IN MILLIMETERS TOLERANCES ARE: X ± 2.5 .X ± .25 .XX ± .13 .XXX ± .025 ANGLES ± .5 DO NOT SCALE DRAWING REMOVE ALL BURRS AND BREAK SHARP EDGES ALL MACHINED SURFACES 1.6 MICRONS RA		<b>gsi lumonics</b> COMPONENT PRODUCTS GROUP	
PROPERTY OF GSI LUMONICS THIS DOCUMENT IS AND SHALL REMAIN AN UNPUBLISHED WORK OF GSI LUMONICS PROTECTED BY COPYRIGHT, IS LOANED FOR LIMITED PURPOSES ONLY, REMAINS THE PROPERTY OF GSI LUMONICS, AND IS TO BE RETURNED UPON REQUEST. NEITHER IT NOR ANY OF THE INFORMATION IT CONTAINS WILL BE REPRODUCED, USED, OR DISCLOSED TO ANYONE NOT HAVING A NEED-TO-KNOW CONSISTENT WITH THE PURPOSE OF THE LOAN, WITHOUT WRITTEN CONSENT OF GSI LUMONICS.		DRAWN BY J. MARTIN 11/25/2002 DESIGN ENG P. OTAVSKY 11/25/2002 MFG ENG D. OPPENHEIM 1/2/2003		<b>OUTLINE AND INSTALLATION</b> <b>VM1000T</b>	
THIRD ANGLE PROJECTION		SIZE <b>C</b>	CAGE CODE <b>57246</b>	DRAWING NUMBER <b>7CD-76925</b>	REVISION <b>A</b>
CAD FILE NAME		SCALE 2/1	SHEET 1 OF 1		

REVISIONS				
ZONE	REV	DESCRIPTION	DATE	APPROVED
	A	RELEASE PER ECO #2002-465	1/2/03	DAO

- | P2 |         | P1 |             |
|----|---------|----|-------------|
| 1  | SHIELD  | 1  | CHASSIS GND |
| 2  | MOTOR+  | 2  | TEMP-       |
| 3  | MOTOR+  | 3  | TEMP+       |
| 4  | MOTOR-  | 4  | OSC POWER   |
| 5  | MOTOR-  | 5  | AGC         |
| 6  | HEATER+ | 6  | REF         |
| 7  | HEATER- | 7  | POSITION-   |
|    |         | 8  | POSITION+   |



DETAIL A  
SCALE 8 : 1



INTERPRET DRAWING IN ACCORDANCE WITH DOD-STD-100, ANSI Y14-5M  PROPERTY OF GSI LUMONICS THIS DOCUMENT IS AND SHALL REMAIN AN UNPUBLISHED WORK OF GSI LUMONICS PROTECTED BY COPYRIGHT. IS LOANED FOR LIMITED PURPOSES ONLY, REMAINS THE PROPERTY OF GSI LUMONICS, AND IS TO BE RETURNED UPON REQUEST. NEITHER IT NOR ANY OF THE INFORMATION IT CONTAINS WILL BE REPRODUCED, USED, OR DISCLOSED TO ANYONE NOT HAVING A NEED-TO-KNOW CONSISTENT WITH THE PURPOSE OF THE LOAN, WITHOUT WRITTEN CONSENT OF GSI LUMONICS.	UNLESS OTHERWISE SPECIFIED: DIMENSIONS ARE IN MILLIMETERS TOLERANCES ARE: X ± 2.5 .X ± .25 .XX ± .13 .XXX ± .025 ANGLES ± .5 DO NOT SCALE DRAWING REMOVE ALL BURRS AND BREAK SHARP EDGES ALL MACHINED SURFACES 1.6 MICRONS RA THIRD ANGLE PROJECTION	<b>Gsi Lu mon ics</b> COMPONENT PRODUCTS GROUP			
		DRAWN BY J MARTIN 11/25/2002 DESIGN ENG P. OTÁVSKY 11/25/2002 MFG ENG D. OPPENHEIM 1/2/2003	<b>OUTLINE AND INSTALLATION VM1000C</b>		
		SIZE <b>C</b>	CAGE CODE <b>57246</b>	DRAWING NUMBER <b>7CD-76913</b>	REVISION <b>A</b>
		SCALE 2/1	SHEET 1 OF 1		

REVISIONS				
ZONE	REV	DESCRIPTION	DATE	APPROVED
	A	RELEASED PER ECO #2002-465	1/2/03	DAO

P3, IN MODELS  
107,108 AND 109 ONLY

1	HEATER+
2	HEATER-
3	TEMP+
4	TEMP-

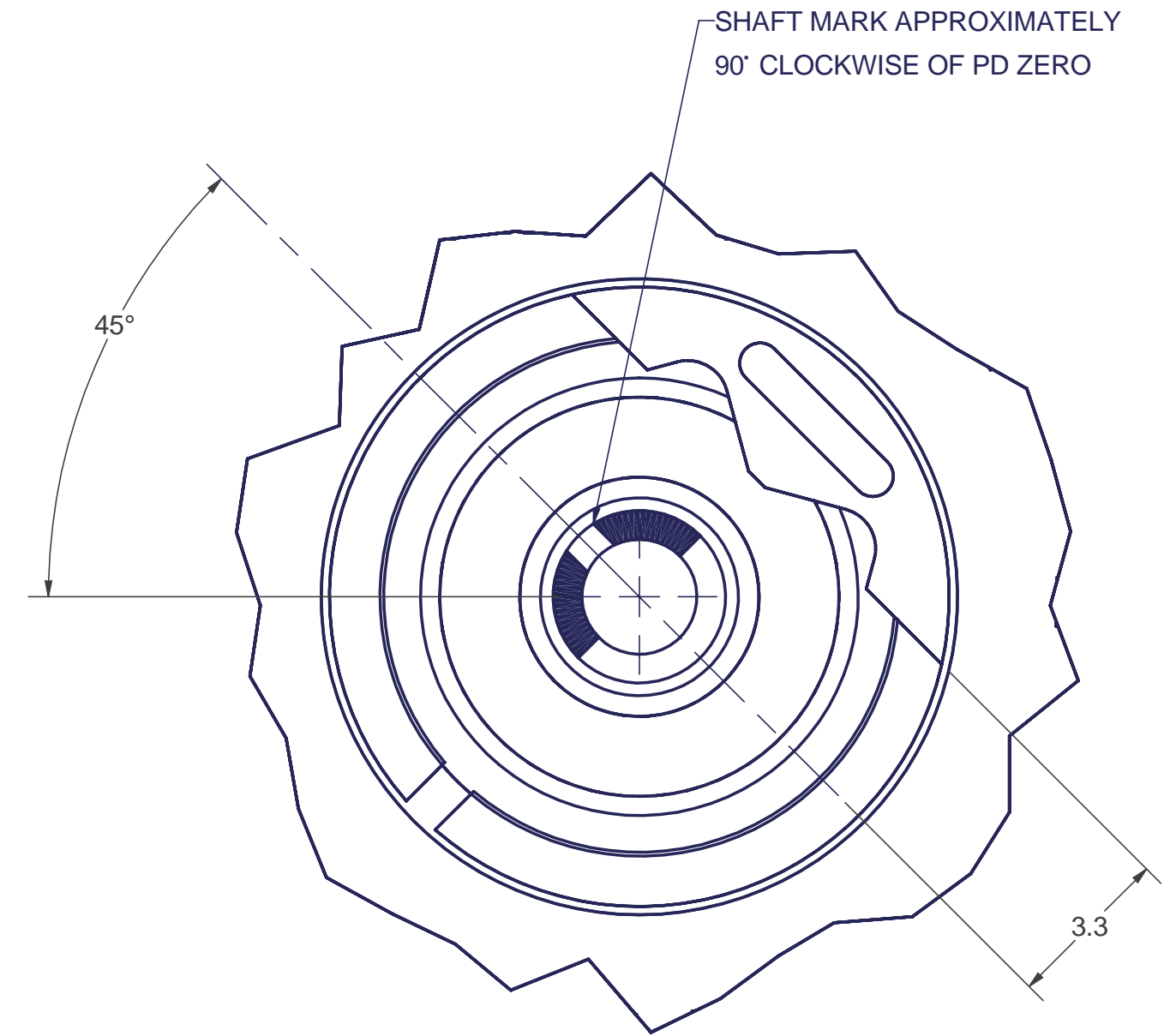
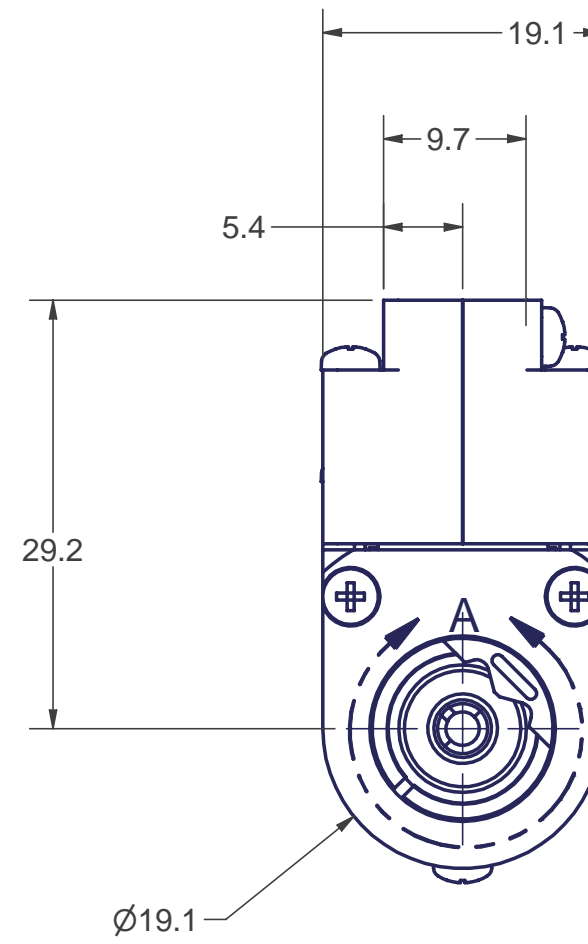
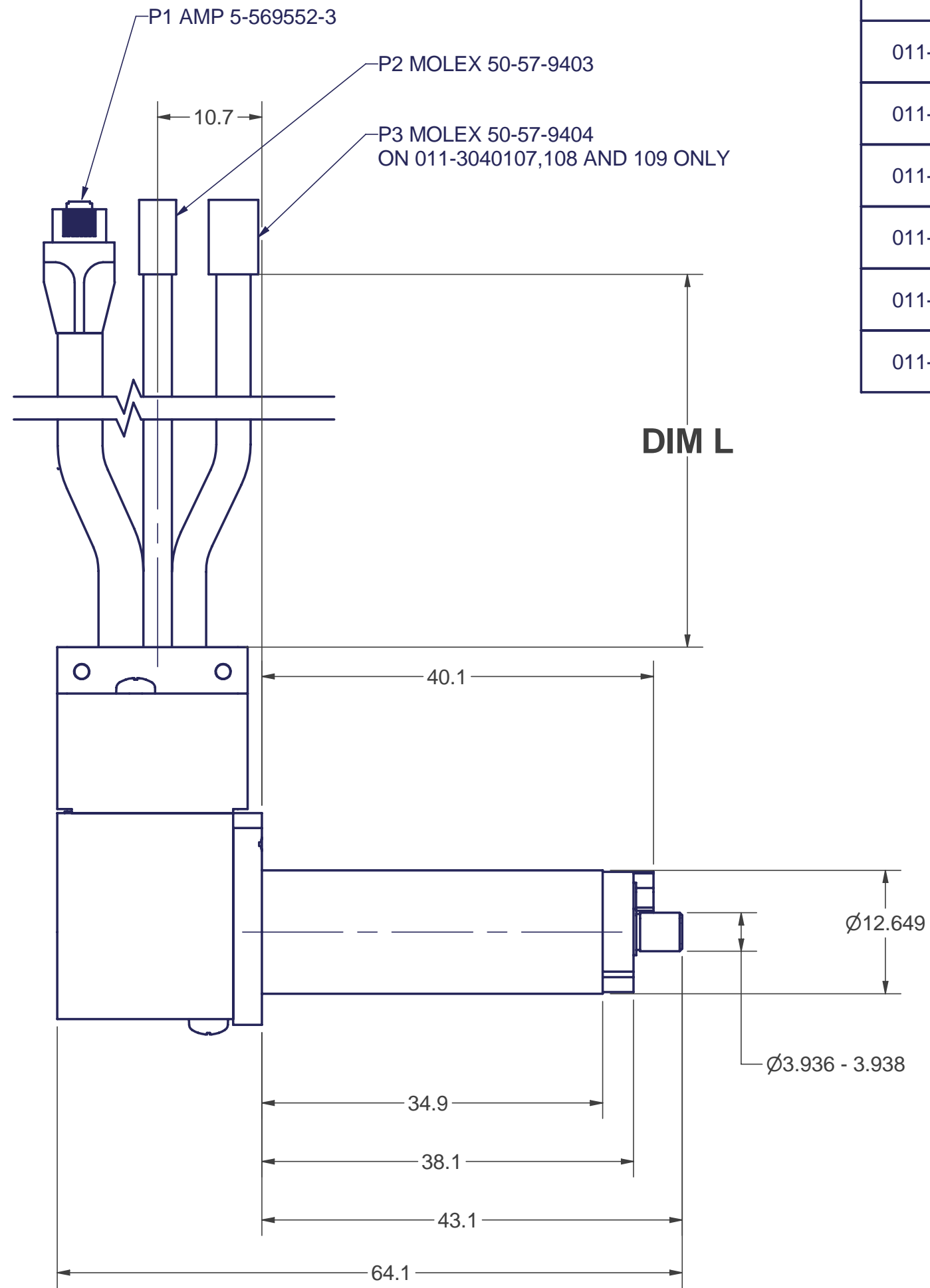
P2

1	GALVO HIGH
2	GALVO LOW
3	SHIELD GND

P1

1	+12V
2	POSITION-
3	N/C
4	OSC
5	N/C
6	POSITION+
7	SIGNAL GROUND
8	N/C

MODEL NUMBER	DIM L
011-3040107	1 FT
011-3040108	1 METER
011-3040109	2 METER
011-3040110	1 FOOT
011-3040111	1 METER
011-3040112	2 METER



DETAIL A  
SCALE 8 : 1

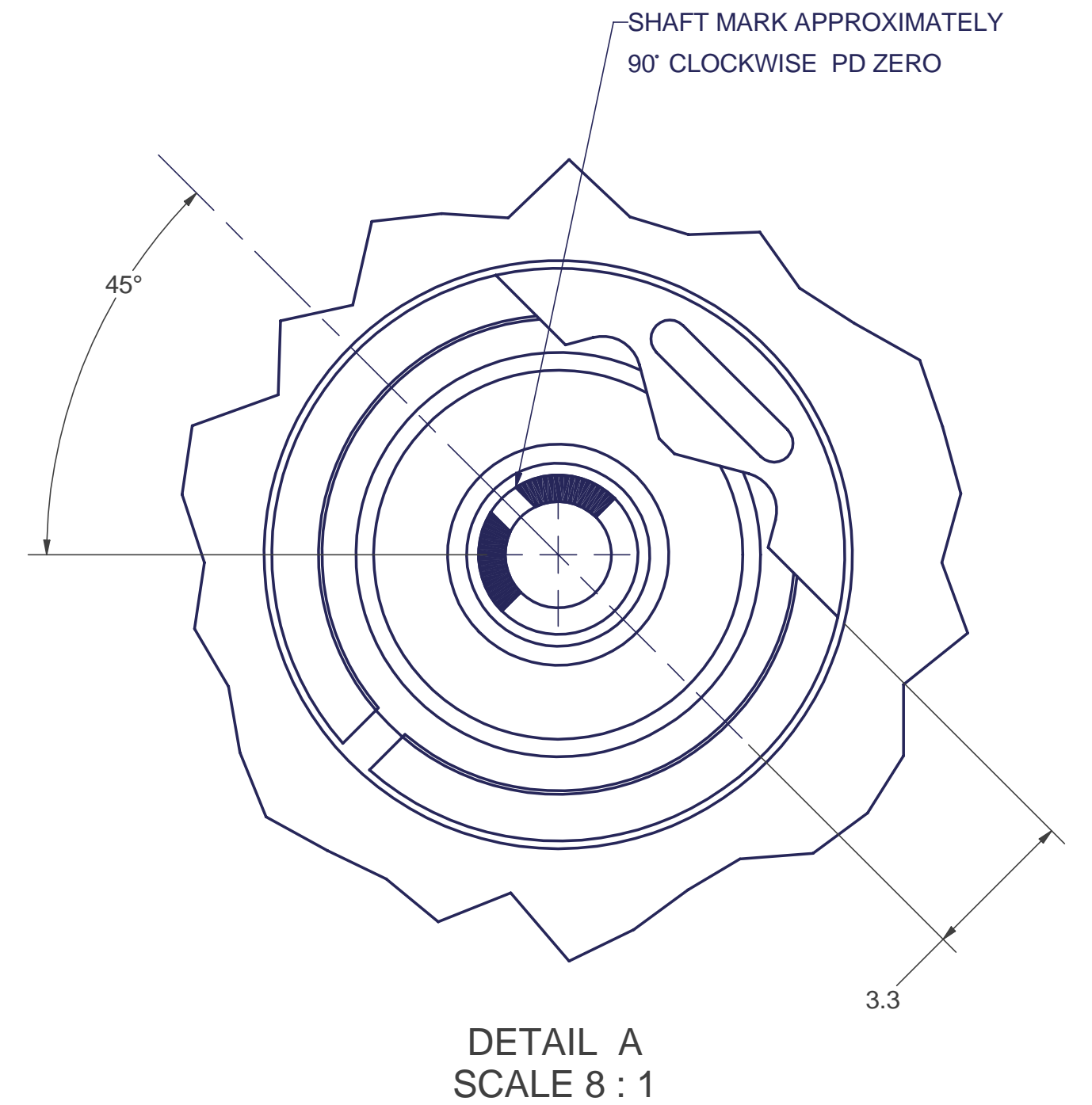
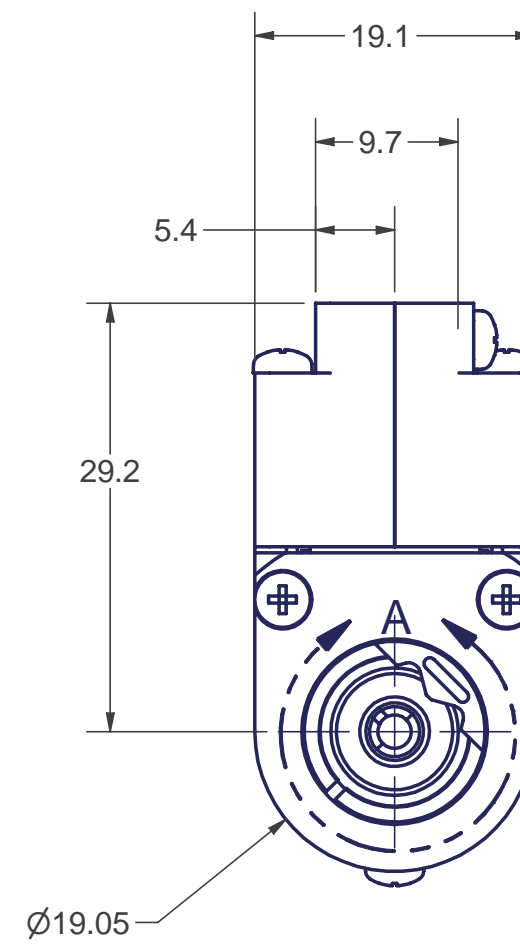
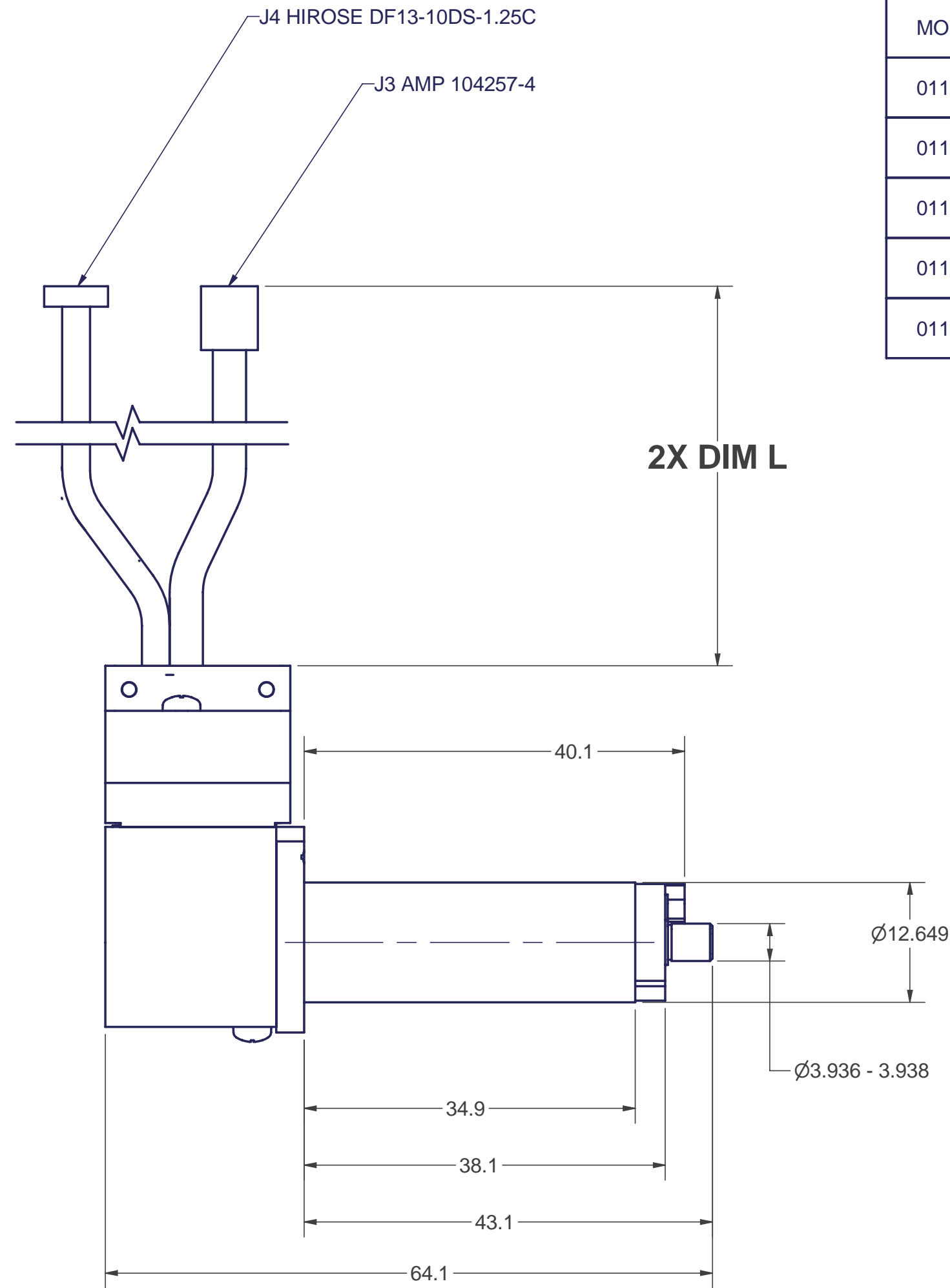
INTERPRET DRAWING IN ACCORDANCE WITH DOD-STD-100, ANSI Y14-5M PROPERTY OF GSI LUMONICS THIS DOCUMENT IS AND SHALL REMAIN AN UNPUBLISHED WORK OF GSI LUMONICS PROTECTED BY COPYRIGHT, IS LOANED FOR LIMITED PURPOSES ONLY, REMAINS THE PROPERTY OF GSI LUMONICS, AND IS TO BE RETURNED UPON REQUEST. NEITHER IT NOR ANY OF THE INFORMATION IT CONTAINS WILL BE REPRODUCED, USED, OR DISCLOSED TO ANYONE NOT HAVING A NEED-TO-KNOW CONSISTENT WITH THE PURPOSE OF THE LOAN, WITHOUT WRITTEN CONSENT OF GSI LUMONICS.		UNLESS OTHERWISE SPECIFIED: DIMENSIONS ARE IN MILLIMETERS TOLERANCES ARE: X ± 2.5 .X ± .25 .XX ± .13 .XXX ± .025 ANGLES ± .5 DO NOT SCALE DRAWING REMOVE ALL BURRS AND BREAK SHARP EDGES ALL MACHINED SURFACES 1.6 MICRONS RA THIRD ANGLE PROJECTION		<b>Gsi Lu mon ics</b> COMPONENT PRODUCTS GROUP DRAWN BY J. MARTIN 11/25/2002 DESIGN ENG P. OTAVSKY 11/25/2002 MFG ENG D. OPPENHEIM 1/2/2003		<b>OUTLINE AND INSTALLATION</b> <b>VM1000STO SAX WITH AND W/O HEATER</b>	
CAD FILE NAME		SIZE <b>C</b>	CAGE CODE <b>57246</b>	DRAWING NUMBER <b>7CD-76920</b>	REVISION <b>A</b>	SHEET 1 OF 1	
		SCALE 2/1					

REVISIONS				
ZONE	REV	DESCRIPTION	DATE	APPROVED
	A	RELEASED PER ECO #2002-465	1/2/03	DAO

- J4
- 1 SHIELD
  - 2 HEATER-
  - 3 HEATER+
  - 4 MOTOR-
  - 5 MOTOR+

- J3
- 1 POSITION+
  - 2 POSITION-
  - 3 REF
  - 4 AGC
  - 5 OSC POWER
  - 6 SHIELD
  - 7 TEMP+
  - 8 TEMP-
  - 9 N/C
  - 10 N/C

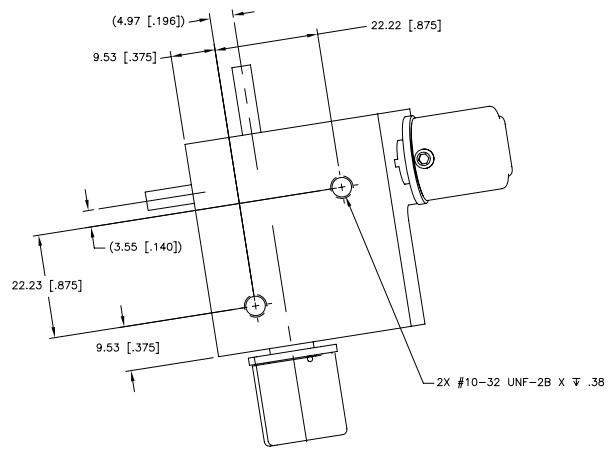
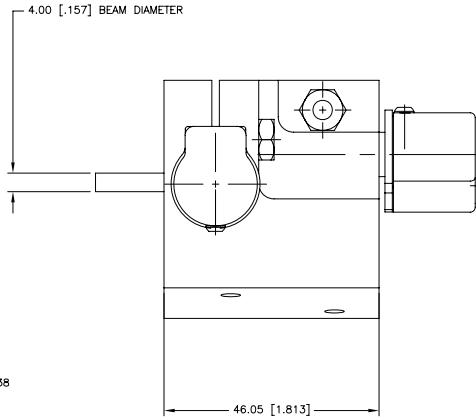
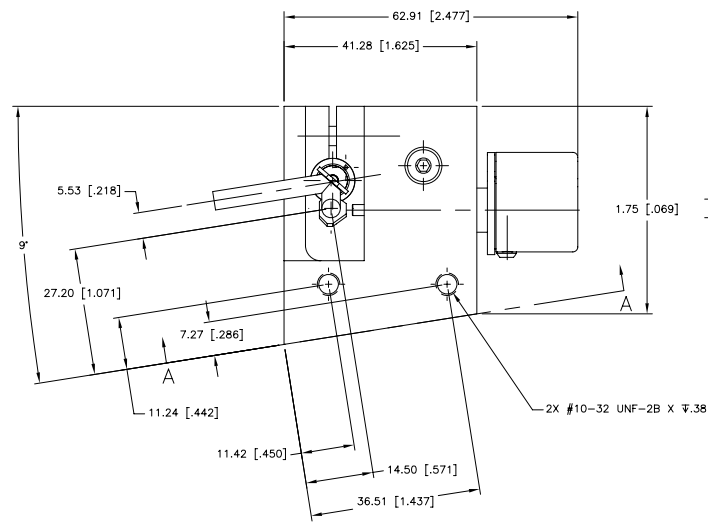
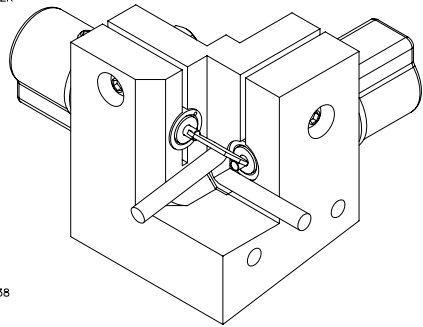
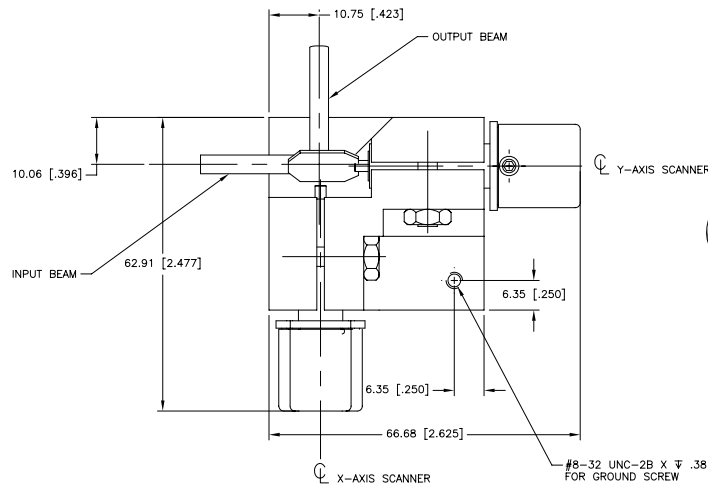
MODEL NUMBER	DIM L
011-3040113	1 FT
011-3040114	1 METER
011-3040115	2 METER
011-3040116	650mm
011-3040117	3 METER



INTERPRET DRAWING IN ACCORDANCE WITH DOD-STD-100, ANSI Y14-5M		UNLESS OTHERWISE SPECIFIED: DIMENSIONS ARE IN MILLIMETERS TOLERANCES ARE: X ± 2.5 .X ± .25 .XX ± .13 .XXX ± .025 ANGLES ± .5 DO NOT SCALE DRAWING REMOVE ALL BURRS AND BREAK SHARP EDGES ALL MACHINED SURFACES 1.6 MICRONS RA		<b>Gsi Lu mon ics</b> COMPONENT PRODUCTS GROUP	
PROPERTY OF GSI LUMONICS THIS DOCUMENT IS AND SHALL REMAIN AN UNPUBLISHED WORK OF GSI LUMONICS PROTECTED BY COPYRIGHT, IS LOANED FOR LIMITED PURPOSES ONLY, REMAINS THE PROPERTY OF GSI LUMONICS, AND IS TO BE RETURNED UPON REQUEST. NEITHER IT NOR ANY OF THE INFORMATION IT CONTAINS WILL BE REPRODUCED, USED, OR DISCLOSED TO ANYONE NOT HAVING A NEED-TO-KNOW CONSISTENT WITH THE PURPOSE OF THE LOAN, WITHOUT WRITTEN CONSENT OF GSI LUMONICS.		DRAWN BY J. MARTIN 11/25/2002		OUTLINE AND INSTALLATION VM1000STO ISD	
		DESIGN ENG P. OTAVSKY 11/25/2002		DRAWING NUMBER 7CD-76923	
		MFG ENG D. OPPENHEIM 1/2/2003		REVISION A	
THIRD ANGLE PROJECTION		SIZE C	CAGE CODE 57246	SHEET 1 OF 1	SCALE 2/1
CAD FILE NAME					

REVISIONS			
ZONE/REV	DESCRIPTION	DATE	APPROVED
- B	RELEASED PER ECD # 2002-111		

NOTES:  
1. BEAM SHOWN IN NEUTRAL POSITION

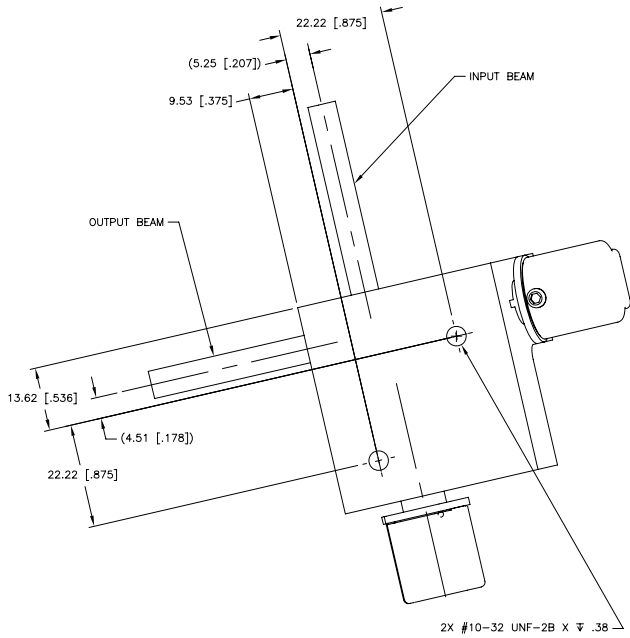
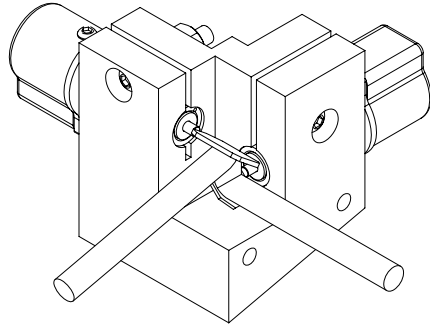


SECTION A-A

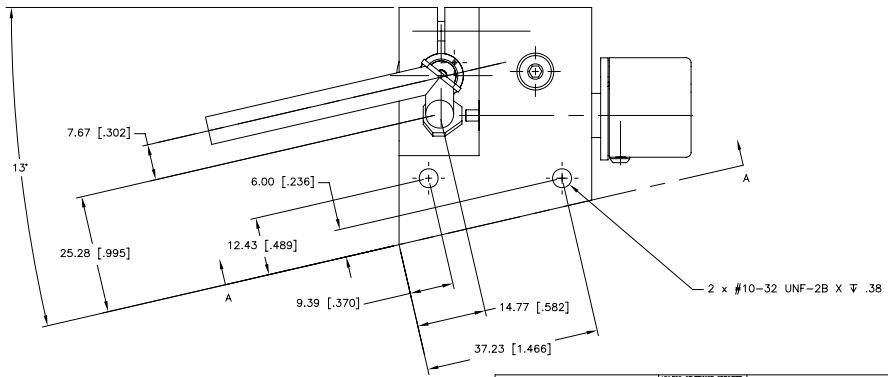
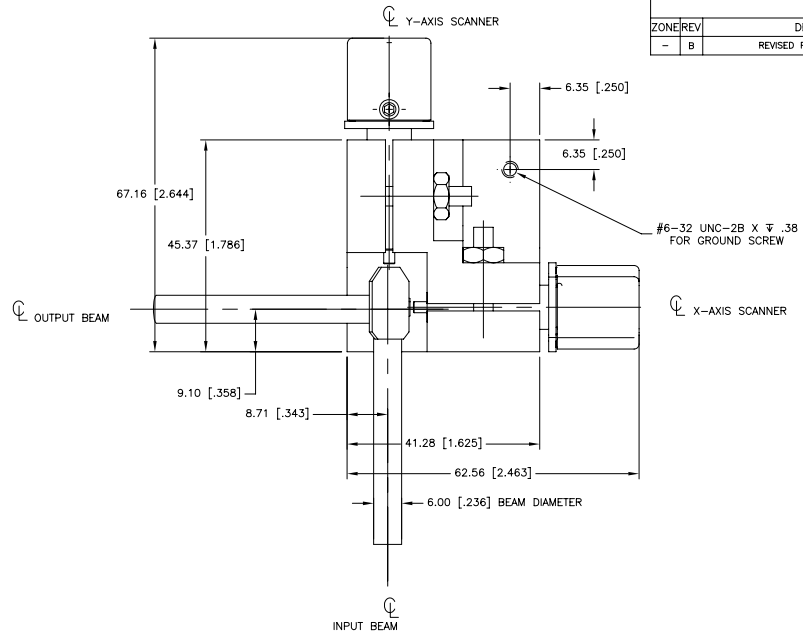
INTERPRET DRAWING IN ACCORDANCE WITH ISO-5455:1984 AND Y14.4M		<b>gsi Lumonics</b> COMPONENT PRODUCTS GROUP	
PROPERTY OF GSI LUMONICS THIS DOCUMENT IS AND SHALL REMAIN AN UNPUBLISHED WORK OF GSI LUMONICS FOR LIMITED PURPOSES ONLY. REMAINS THE PROPERTY OF GSI LUMONICS, AND IS TO BE RETURNED UPON REQUEST. NEITHER IT NOR ANY OF THE INFORMATION IT CONTAINS SHALL BE REPRODUCED, USED, OR DISCLOSED TO ANYONE NOT HAVING A NEED-TO-KNOW CONSISTENT WITH THE PURPOSE OF THE DEAL WITHOUT WRITTEN CONSENT OF GSI LUMONICS.		4mm XY SCANHEAD OUTLINE AND INSTALLATION	
DATE: 08-21-01 DESIGNED BY: J. WARE DRAWN BY: J. WARE CHECKED BY: J. WARE APPROVED BY: J. WARE	DATE: 11-18-01 DESIGNED BY: J. WARE DRAWN BY: J. WARE CHECKED BY: J. WARE APPROVED BY: J. WARE	SIZE: D SCALE: 1/1	DWG NO.: 7CD-75705 REV: B
CAD FILE NAME: 75705-08		SHEET 1 OF 1	



NOTES:  
1. BEAM SHOWN IN NEUTRAL POSITION



VIEW A-A



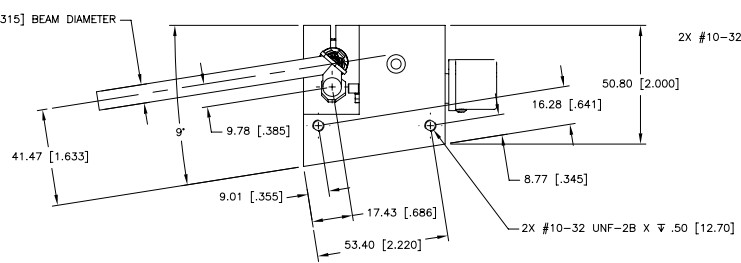
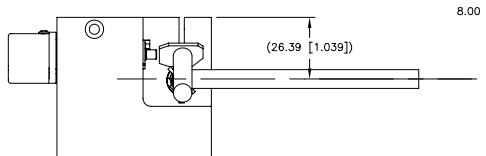
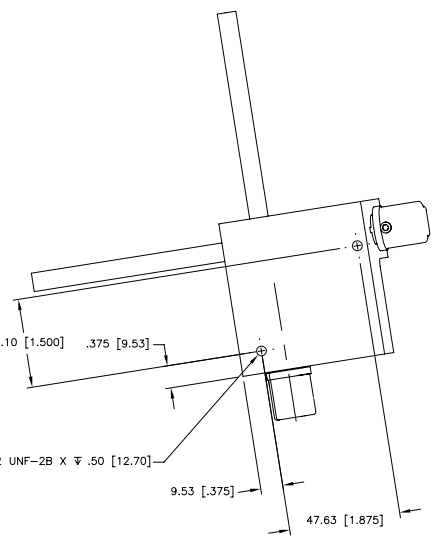
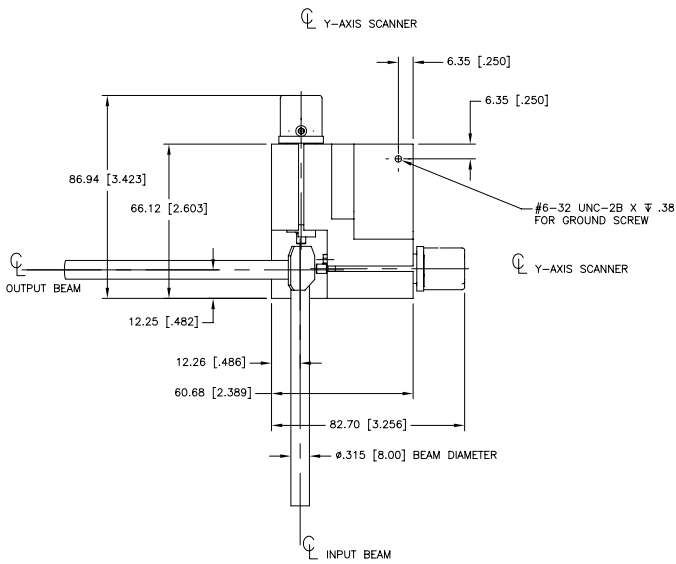
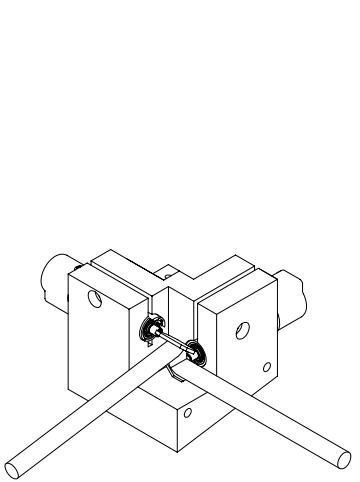
REVISIONS				
ZONE	REV	DESCRIPTION	DATE	APPROVED
-	B	REVISED PER ECO #2002-111		

INTERPRET DIMENSIONS IN ACCORDANCE WITH ISO-3101 AND Y14.1M DIMENSIONS ARE IN INCHES UNLESS NOTED OTHERWISE		<b>gsi lumonics</b> <small>COMPONENT PRODUCTS GROUP</small>	
PROPERTY OF GSI LUMONICS THIS DOCUMENT IS AND SHALL REMAIN AN UNPUBLISHED WORK OF GSI LUMONICS. REPRODUCED OR TRANSMITTED IN ANY FORM OR BY ANY MEANS, WITHOUT PERMISSION IN WRITING FROM GSI LUMONICS IS STRICTLY PROHIBITED.		DRAWN: 08/25/01 DESIGNED: 11-18-01 CHECKED: 11-18-01 P. MITMAN	
DO NOT SCALE DRAWING VERIFY ALL DIMS AND DIMS UNLESS NOTED OTHERWISE ALL WORK SHOWN IN VIEW UNLESS NOTED OTHERWISE		DATE: 08/25/01 DESIGNED: 11-18-01 CHECKED: 11-18-01 P. MITMAN	
REPRODUCED, USED, OR DISCLOSED TO ANYONE WITHOUT THE WRITING CONSENT OF GSI LUMONICS.		TITLE: 6mm XY SCANHEAD OUTLINE AND INSTALLATION SIZE: D SCALE: 2/1 DWG NO.: 7CD-75707 REV: B	
CAD FILE NAME: 75707-08		SHEET 1 OF 1	

8 7 6 5 4 3 2 1

NOTES:  
1. BEAM SHOWN IN NEUTRAL POSITION

ZONE		REVISIONS	
REV		DESCRIPTION	DATE
-	A	RELEASED PER ECO 2001-239	



INTERNET DRAWING IN ACCORDANCE WITH ISO-31-100 AND 114-M-1004		UNLESS OTHERWISE SPECIFIED DIMENSIONS ARE IN INCHES	
PROPERTY OF GSI LUMONICS THIS DOCUMENT IS AND SHALL REMAIN AN UNPUBLISHED WORK OF GSI LUMONICS FOR LIMITED PURPOSES ONLY. REMAINS THE PROPERTY OF GSI LUMONICS AND IS TO BE RETURNED UPON REQUEST. NEITHER IT NOR ANY OF THE INFORMATION IT CONTAINS SHALL BE REPRODUCED, USED, OR DISCLOSED TO ANYONE NOT THE PURPOSER OF THE DRAWING WITHOUT WRITTEN CONSENT OF GSI LUMONICS.		DRAWN: J. J. J. / J. J. J. CHECKED: J. J. J. / J. J. J. DESIGNED: J. J. J. / J. J. J. DATE: 8-22-00	<b>gsi Lumonics</b> 4E UNDP DRWG, WETFIELD, MA 01976
DO NOT SCALE DRAWING SHOW ALL DIMS AND DIMS UNLESS OTHERWISE NOTED ALL DIMS SHOWN IN VIEWS ARE PERMITTED		CASE CODE: 57246 DWP NO: 7CD-75709	8mm XY SCANHEAD OUTLINE AND INSTALLATION
CAD FILE NAME:	SCALE: 1/1	SHEET: 1 OF 1	REV: A

8 7 6 5 4 3 2 1